

**ALEYE 10**



# **ALEDO 10**

**INSTALLATION INSTRUCTIONS**

**EN**

**INSTALLATIONSANLEITUNG**

**DE**

**INSTRUCTIONS D'INSTALLATION**

**FR**

**ISTRUZIONI PER L'INSTALLAZIONE**

**IT**

All local regulations, including those referring to national and European standards, must be observed when installing the product. Assembly and installation of your chosen product must be performed only by an authorized dealer of **Romotop spol. s r.o.** company. This is necessary for the recognition of the warranty and the proper functioning of the product. This product is not suitable as a primary heat source.

### **Instruction manual**

Please read the information and instructions in the Instruction manual carefully.

### **Operating chimney draft**

Operating draft is 12 Pa. Maximum operating chimney draft is 20 Pa. This should be measured during full operation of the product. It is recommended to install a draft regulator, especially when the appliance is equipped with unit for automatic combustion regulation.

### **Authorized fuel**

Dry, lump wood with residual moisture up to 20 %. The stated average fuel consumption must always be observed – 2,04 kg/h. The recommended fuel length is approximately 180-350 mm. Depends on the size of the combustion chamber. Always use at least 2 pieces of wood.

## **Operation of the product**

### **1 Hardening of the paint**

If your model of stove has a closable grate, leave it in open position. The first heating of the product should take place with a limited amount of smaller pieces of wood (ca ½ the average fuel). Leave the door ajar (approximately 2 cm gap), so that the door cord does not stick to the paint. Also open the air supply to the maximum (pos. C). Slow process of heating up will prevent paint damage and deformation of materials.

After burning the wood on glowing coals, you can proceed to hardening of the paint. Place the allowed fuel dose in the chamber, using smaller logs and pieces. Leave the door ajar (approximately 2 cm). The paint under the door must harden sufficiently. When this dose burns out, carry out at least 2 to 3 additional periods with the allowed fuel dose, now with the door closed and the air supply open to the maximum (pos. C). Hardening of the paint is accompanied by an odor that persists throughout full hardening process, so described actions should only be carried out with sufficient room ventilation.

### **2 Heating up**

Move the air supply lever to the open position (pos. C), if there is no automatic combustion regulation active. If the product includes a cast iron grate, open it. Use max. twice amount of the average fuel dose for ignition. First place larger logs on the bottom of the chamber, then layer finer logs of dry piece of wood

on them (pos. 2) – igniting from above. Use a lighter that is specifically designed for this purpose. If necessary (the fire still did not start after some time), leave the door open for a while (approx. 2 cm), for additional sufficient air supply. Then, during standard heating, always keep the door closed. Do not reload new dose of wood, until the previous batch has completely burned to glowing coals and there are only embers in the chamber, without visible flames.

### **3 Heating and reloading**

To equalize the pressure in the room and the combustion chamber, slightly open the door to approx. 2 cm gap for 10 seconds before each reloading. This will prevent possible escape of ash and smoke into the room. Add the amount of wood that is suitable for your product, see average fuel consumption (pos. 4). After reloading the wood, always close the door properly. We recommend setting the air supply lever to the optimum position at nominal output (pos. B, B1). Do not reload new dose until the wood burns to glowing coals.

### **4 Termination of heating process**

Once the wood in the chamber burns out, move the air supply lever to closed position. This will prevent unwanted leakage of accumulated heat into the chimney / outside (pos. A).



- 1** preparation of fuel for heating
- 2** placements of wood in the chamber
- 3** igniting the wood from above
- 4** stoking



- A** closed
- B** open – heating at nominal output (optimal operation)
- C** open – starting a fire position (putting the product into operation)

- A** closed
- B1** open – heating at nominal output (optimal operation)
- B2** open – primary air closed
- C** open – starting a fire position (putting the product into operation)

## Declared qualities stated

| Harmonised technical specification   |                                      |                              |      |                         |
|--|--------------------------------------|------------------------------|------|-------------------------|
| ✓ EN 16510-1 ed.2:2023   EN 16510-2-1:2022    ✓ Ecodesign    ✓ DIN+    ✓ BImSchV2    ✓ 15a B-VG 2015 |                                      |                              |      |                         |
| Classification of appliance  | Type BE                              |                              |      |                         |
|  | Nominal heat output (nom)            | Part load heat output (part) |      |                         |
| Energy efficiency  | $\eta_{nom}$   $\eta_{part}$         | 81                           | 78   | %                       |
| Seasonal space heating energy efficiency at nominal heat output                                      | $\eta_{s,nom}$   $\eta_{s,part}$     | 72                           | ---  | %                       |
| Energy Efficiency Index  | EEI                                  | 108                          |      |                         |
| Energy label   |                                      | A+                           |      |                         |
| Fuel   |                                      | Wood logs                    |      |                         |
| Fuel length  |                                      | 180-350                      |      | mm                      |
| Average fuel consumption   |                                      | 2,04                         | 1,46 | kg/h                    |
| Allowed fuel dose  |                                      | 2,6                          |      | kg/h                    |
| Fuel supply interval   |                                      | 1 hour                       |      |                         |
| Amount of combustion air   |                                      | 25,9                         |      | m <sup>3</sup> /h       |
| Nominal heat output  | $P_{nom}$   $P_{part}$               | 6,8                          | 4,7  | kW                      |
| Hot-water exchanger nominal heat output  | $P_{W,nom}$   $P_{W,part}$           | ---                          | ---  | kW                      |
| Maximum water operating pressure   | $P_W$                                | ---                          |      | bar                     |
| Dry flue gas mass flow rate  | $\Phi_{f,g,nom}$   $\Phi_{f,g,part}$ | 5,4                          | 4,6  | g/s                     |
| Flue gas outlet temperature  | $T_{s,nom}$   $T_{s,part}$           | 330                          | 318  | °C                      |
| Flue draught   | $P_{nom}$   $P_{part}$               | 12                           | 8    | Pa                      |
| Chimney temperature class  |                                      | T400                         |      |                         |
| Connection to the common chimney   |                                      | Yes                          |      |                         |
| Storage of fuel in the wood shed area  |                                      | No                           |      |                         |
| Maximum warming of the wood in the wood shed   |                                      | ---                          |      | °C                      |
| Dust O <sub>2</sub> = 13 %   | $PM_{nom}$   $PM_{part}$             | 33                           | 24   | mg/Nm <sup>3</sup>      |
| CO <sub>2</sub>  |                                      | 10,76                        | 9,03 | %                       |
| Emissions of gases of combustion (CO in the flue gases at O <sub>2</sub> = 13 %)                     | $CO_{nom}$   $CO_{part}$             | 0,0761<br>951                | ---  | %<br>mg/Nm <sup>3</sup> |
| OGC O <sub>2</sub> = 13 %  | $OGC_{nom}$   $OGC_{part}$           | 50                           | 82   | mg/Nm <sup>3</sup>      |
| NOx O <sub>2</sub> = 13 %  | $NO_{x,nom}$   $NO_{x,part}$         | 88                           | 91   | mg/Nm <sup>3</sup>      |
| Automatic regulation unit of burning   |                                      | ---                          | ---  |                         |
| Electricity consumption in standby mode  | $e_{SB}$                             | ---                          |      | kW                      |
| Electricity consumption  | $e_{l,max}$   $e_{l,min}$            | ---                          | ---  | kW                      |
| Standing air loss  | $V_h$                                | ---                          |      | m <sup>3</sup> /h       |
| Intermittent operation   Continuous operation  | INT   CON                            | INT                          |      |                         |

## Basic technical data

|  |            |                 |    |
|--|------------|-----------------|----|
| Principal dimensions (Height   Width   Length) | H   W   L  | 915   740   371 | mm |
| Combustion chamber dimensions                  | H   W   L  | 334   515   255 | mm |
| Fireplace door dimensions                      | H   W   L  | ---   ---   --- | mm |
| Axis height of the rear (side) outlet          |            | 787             | mm |
| Volume of hot-water exchanger                  |            | ---             | l  |
| Flue diameter                                  |            | 150             | mm |
| Diameter of flue throat                        | $d_{out}$  | 150             | mm |
| Diameter of external air connection            |            | 125             | mm |
| Maximum length (pipe) of external air intake   |            | 5000            | mm |
| Weight   | m          | 179             | kg |
| Load bearing capacity                          | $m_{chim}$ | 200             | kg |

## Heat capacity

minimum size of the room of appliance installation

|  |   |     |                |
|--|---|-----|----------------|
| Insulation of the house – very good (20 W/m <sup>3</sup> ) | e.g. new, insulated house / permanently inhabited | 236 | m <sup>3</sup> |
| Insulation of the house – good (22,5 W/m <sup>3</sup> )    |   | 210 | m <sup>3</sup> |
| Insulation of the house – middle (32 W/m <sup>3</sup> )    |   | 148 | m <sup>3</sup> |
| Insulation of the house – bad (45 W/m <sup>3</sup> )       |   | 105 | m <sup>3</sup> |
| Insulation of the house – very bad (50 W/m <sup>3</sup> )  | e.g. old, uninsulated house / cottage / chalet    | 94  | m <sup>3</sup> |

## Distances from flammable materials

with un-insulated flue pipe (provided on the product label)

Note

|                     |          |      |    |
|---------------------|----------|------|----|
| Back                | $d_R$    | 300  | mm |
| Front               | $d_P$    | 1150 | mm |
| Front to the floor  | $d_F$    | 0    | mm |
| Side                | $d_S$    | 350  | mm |
| Side with glass     | $d_{S1}$ | ---  | mm |
| Side – niche        | $d_{S2}$ | 200  | mm |
| Side – location 45° | $d_{S3}$ | 100  | mm |
| Side radiation      | $d_L$    | 0    | mm |
| From the floor      | $d_B$    | 0    | mm |
| From the ceiling    | $d_C$    | ---  | mm |

## Distances from flammable materials with insulated flue pipe \*

|      |       |     |    |
|------|-------|-----|----|
| Back | $d_R$ | --- | mm |
| Side | $d_S$ | --- | mm |

## Distances from flammable materials with hanging plate (shielding)

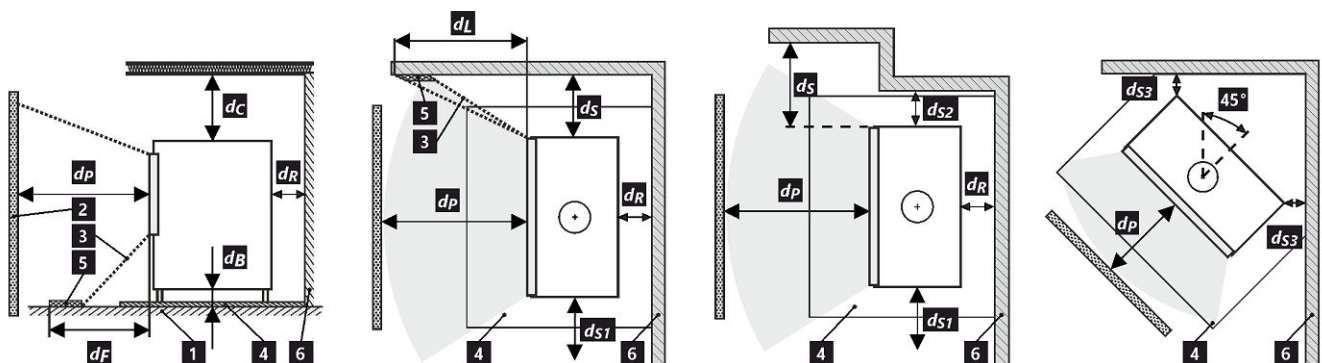
|      |       |     |    |
|------|-------|-----|----|
| Back | $d_R$ | 180 | mm |
| Side | $d_S$ | 350 | mm |

## Distances from flammable materials with insulated flue pipe and hanging plate (shielding) \*

|      |       |     |    |
|------|-------|-----|----|
| Back | $d_R$ | 100 | mm |
| Side | $d_S$ | 350 | mm |

## Distances from nonflammable materials

|                     |             |     |    |
|---------------------|-------------|-----|----|
| Back                | $d_{Rnon}$  | 80  | mm |
| Side                | $d_{Snon}$  | 350 | mm |
| Side – niche        | $d_{S2non}$ | 80  | mm |
| Side – location 45° | $d_{S3non}$ | 80  | mm |



1 floor | 2 object | 3 radiation area | 4 floor protection plate | 5 critical area (due to radiation) | 6 flammable wall

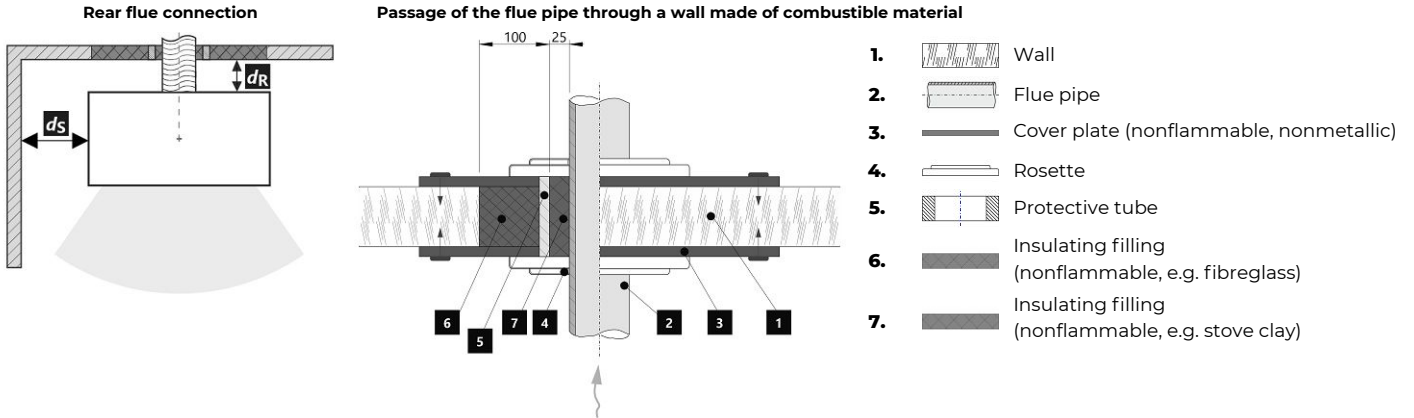
All local regulations, including regulations relating to national and European standards, must be observed during the installation and operation of the product.

A product installed on a floor made of flammable materials must be fitted with a floor protective plate made of nonflammable material extending beyond its footprint by at least 400 mm in the front direction and 100 mm in other directions. The product must be installed on floors with adequate load-bearing capacity.

\* The distance assumes the use of an insulated flue pipe with a minimum insulation thickness of 25 mm up to the product.

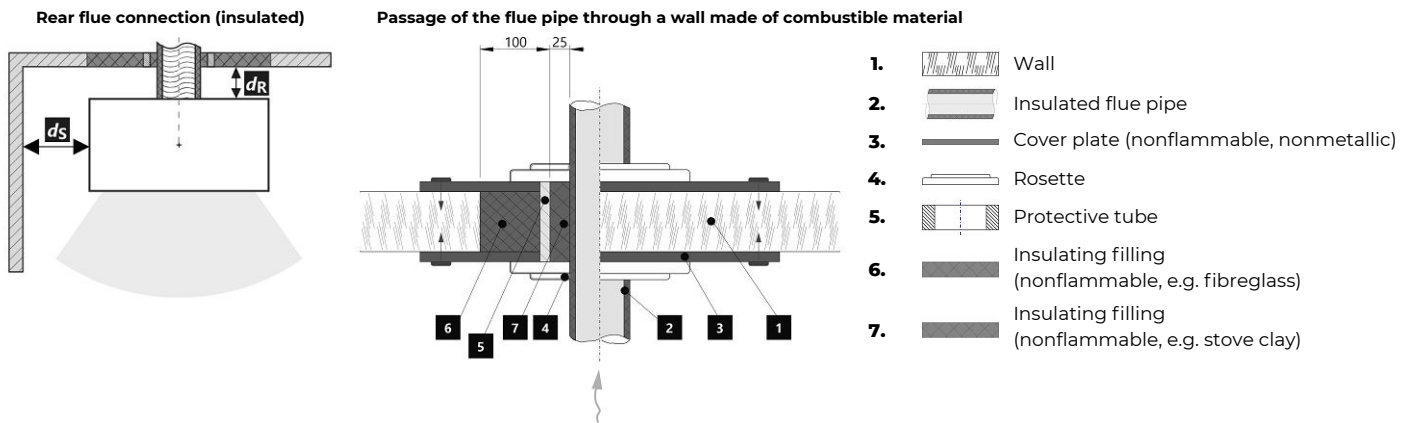
### Distance from flammable (nonflammable) materials – rear flue connection

|      |       |     |    |
|------|-------|-----|----|
| Back | $d_R$ | 300 | mm |
| Side | $d_S$ | 350 | mm |




### Distance from flammable (nonflammable) materials – rear flue connection (insulated)

|      |       |     |    |
|------|-------|-----|----|
| Back | $d_R$ | --- | mm |
| Side | $d_S$ | 350 | mm |



### Notice

 If the products are installed in areas where air is suctioned by fans, hoods, heating or ventilation equipment, external air intake (EAI) must be ensured. Turn off all ventilation devices in the house before the planned stoking.

Adequate access for cleaning and maintenance of your product, flue and chimney must be provided during installation, unless the product can be cleaned from another location such as the roof or a dedicated door.

The product and its flue gas paths must be regularly and thoroughly rechecked and cleaned before and after the heating season.



Read the general instructions carefully.

## The product label

**1** LOGO

**2** Company  
WEB

**3** CE 24

**4** TYPE  
THE MODEL NUMBER

**5** Residential solid fuel burning appliance – with water heating.  
Häusliche Feuerstätte für feste Brennstoffe – mit Warmwasserbereitung.  
Appareil à combustibles solides dans les bâtiments résidentiels – avec chauffage de l'eau.  
Apparecchio a combustibili solidi in edifici residenziali – con riscaldamento dell'acqua.

**6** Use only these recommended fuels. | Verwenden Sie nur diese empfohlenen Brennstoffe.  
N'utilisez que ces combustibles recommandés. | Usare solo questi combustibili raccomandati.  
Wood logs | Scheitholz | Büches | Legna

**7** Type of appliance | Klassifizierung des Geräts  
Classification de l'appareil | Classificazione dell'apparecchio Typ B

**8** Standards | Normen  
Normes | Norme ČSN EN 16510-1 ed. 2:2023 | Ecodesign | BImSchV2 | DIN+ | 15a B-VG 2015

|  |                    | nom | part |
|--|--------------------|-----|------|
| P                                      | kW                 |     |      |
| P <sub>w</sub>                         | kW                 |     |      |
| η                                      | %                  | ≥   | ≥    |
| CO (13 % O <sub>2</sub> )              | mg/Nm <sup>3</sup> | ≤   | ≤    |
| NO <sub>x</sub> (13 % O <sub>2</sub> ) | mg/Nm <sup>3</sup> | ≤   | ≤    |
| OGC (13 % O <sub>2</sub> )             | mg/Nm <sup>3</sup> | ≤   | ≤    |
| PM (13 % O <sub>2</sub> )              | mg/Nm <sup>3</sup> | ≤   | ≤    |
| p                                      | Pa                 |     |      |
| p <sub>w</sub>                         | bar                |     |      |
| d <sub>c</sub>                         | mm                 |     |      |
| d <sub>F</sub>                         | mm                 |     |      |
| d <sub>L</sub>                         | mm                 |     |      |
| d <sub>B</sub>                         | mm                 |     |      |
| d <sub>Rnon</sub>                      | mm                 |     |      |
| d <sub>Snon</sub>                      | mm                 |     |      |
| d <sub>S2non</sub>                     | mm                 |     |      |
| W <sub>max</sub>                       | W                  | NPD |      |
| T <sub>s</sub>                         | °C                 |     |      |
| V <sub>h</sub>                         | m <sup>3</sup> /h  | NPD |      |
| d <sub>out</sub>                       | mm                 |     |      |
| H                                      | mm                 |     |      |
| W                                      | mm                 |     |      |
| L                                      | mm                 |     |      |

**10** DOP/CPR doc

**11** When installing and operating the product, follow the installation instructions and general instructions. Not for continuous heating.  
Bei der Installation und dem Betrieb des Produkts sind die Installations- und die allgemeine Bedienungsanleitung zu beachten. Die Feuerstätte ist nicht für den Dauerbetrieb geeignet.  
Lors de l'installation et de l'utilisation du produit, suivez les instructions d'installation et le mode d'emploi général. L'appareil n'est pas conçu pour un chauffage continu.  
Per l'installazione e il funzionamento del prodotto, attenersi alle istruzioni di installazione e alle istruzioni generali. Non per il riscaldamento continuo.

**12** Serial number | Seriennummer  
Numéro de série | Numero di serie

NUMBER

- The manufacturer's name or registered trade mark
- Company headquarters, website
- CE mark of conformity – The digits indicate the year of issue of the certificate
- The type and/or the model number designation to enable the appliance to be identified
- Product specifications
- Recommended fuel
- Classification of appliance
- Applicable standards
- Table of values

**nom** – values at nominal heat output

**part** – Values at part load heat output

P – heat output

P<sub>w</sub> – hot-water exchanger heat output

η – energy efficiency

CO – CO emissions at 13 % O<sub>2</sub>

NO<sub>x</sub> – NO<sub>x</sub> at 13 % O<sub>2</sub>

OGC – OGC at 13 % O<sub>2</sub>

PM – dust at 13 % O<sub>2</sub>

p – minimum flue draught

p<sub>w</sub> – maximum operating pressure

**Distance from flammable materials:**

d<sub>R</sub> – back

d<sub>S</sub> – side

d<sub>C</sub> – from the ceiling

d<sub>F</sub> – front

d<sub>F</sub> – front to the floor

d<sub>L</sub> – side radiation

d<sub>B</sub> – from the floor

**Distance from nonflammable materials:**

d<sub>Rnon</sub> – back

d<sub>Snon</sub> – side

d<sub>S2non</sub> – side (niche)

**Qualities stated:**

W<sub>max</sub> – maximum electric power input

T<sub>s</sub> – flue gas outlet temperature

V<sub>h</sub> – standing air loss

d<sub>out</sub> – diameter of the flue throat

H – height

W – width

L – depth (length)

NPD (No Performance Determined) – an international abbreviation that can be used if no property or parameters are specified. The label complies with EU Regulation No. 305/2011.

**10.** Document: DOP / CPR

**11.** Instructions

**12.** Barcode | The serial number

Bei der Installation des Produkts müssen alle örtlichen Vorschriften, einschließlich derjenigen, die sich auf nationale und europäische Normen beziehen, beachtet werden. Die Montage und Installation des von Ihnen gewählten Produkts darf nur von einem autorisierten Händler der **Romotop spol. s r.o.** durchgeführt werden, damit die Garantie anerkannt wird und das Produkt einwandfrei funktioniert. Dieses Produkt ist nicht als Hauptwärmequelle zum Heizen geeignet.

## Gebrauchsanweisungen

Bitte beachten Sie die Informationen und Hinweise in der Allgemeinen.

## Kaminzug

Betrieblicher Kaminzug 12 Pa.  
Maximaler Betriebszug 20 Pa. Der Kaminzug wird während dem Betrieb gemessen. Wir empfehlen einen Zugbegrenzer zu installieren. Dieser ist beim Heizen mit einer automatischen Verbrennungsregelung notwendig.

## Zugelassener Brennstoff

Trockenes Scheitholz mit einer Restfeuchte von bis zu 20 %. Der durchschnittliche Verbrauch von – 2,04 kg/h ist stets einzuhalten. Die empfohlene Länge in Abhängigkeit von der Brennkammergröße beträgt ca. 180-350 mm. Es sind stets mindestens zwei Holzscheite zu benutzen.

## Betrieb

### 1 Lack einbrennen

Wenn Ihr Ofen einen verschließbaren Rost hat, lassen Sie ihn offen. Führen Sie das erste Anfeuern mit einer kleineren Holzmenge (feineres Holz, ca. ½ der durchschnittlichen Brennstoffmenge) durch. Lassen Sie die Brennkammertür einen Spalt bereit offen (ca. 2 cm), damit die Dichtungsschnur nicht am Lack kleben bleibt und öffnen Sie komplett die Luftzufuhr (Pos. C). Schonendes Heizen verhindert Lackschäden und Verformungen.

Nach dem das Holz bis zur Glut verbrannt ist, können Sie mit dem Einbrennen fortfahren. Befüllen Sie die Brennkammer mit der zulässigen Brennstoffmenge (feineres Holz). Lassen Sie die Tür einen Spalt breit offen (etwa 2 cm). Der Lack an der Tür muss ausreichend aushärten. Wiederholen Sie den Vorgang mindestens weitere 2–3 Male mit der zulässigen Brennstoffmenge und geöffneter Luftzufuhr (Pos. C). Beim Einbrennen kommt es zur Lackausgasungen. Sorgen Sie deshalb während der gesamten Einbrennphase für ausreichende Belüftung des Stellraumes.

### 2 Anheizen

Öffnen Sie den Luftschieber (Pos. C), aber nur, wenn Ihr Kaminofen nicht mit einer automatischen Abbrandsteuerung ausgestattet ist. Falls vorhanden, öffnen Sie den Gusseisen-Rost. Benutzen Sie zum Anheizen die max. zweifache durchschnittliche Brennstoffmenge. Legen Sie zuerst größere trockene

Holzscheite auf den Boden der Brennkammer und stapeln feineres Anzündholz darüber (Abb. 2) – Anzünden von oben. Verwenden Sie zum Anzünden einen geeigneten Zünder. Falls nötig, lassen Sie die Tür für kurze Zeit leicht geöffnet (ca. 2 cm), damit das Feuer genügend Luft zum Entflammen bekommt. Während des Regelbetriebs ist die Brennkammertür stets geschlossen zu halten. Legen Sie erst wieder Holz nach, wenn die vorherige Holzmenge bis zur Glut abgebrannt ist und die Flammen erloschen sind.

### 3 Heizen und Nachlegen

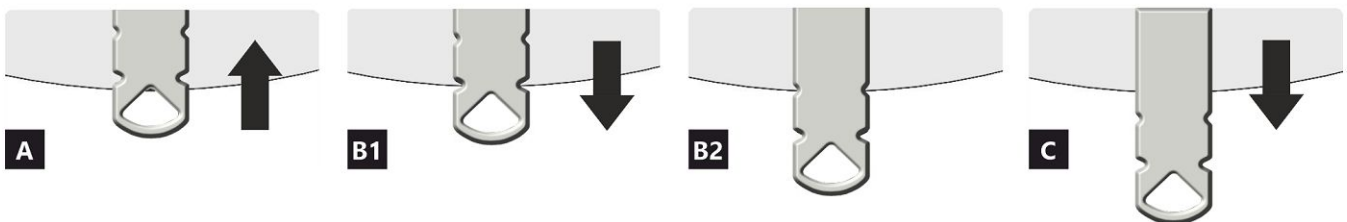
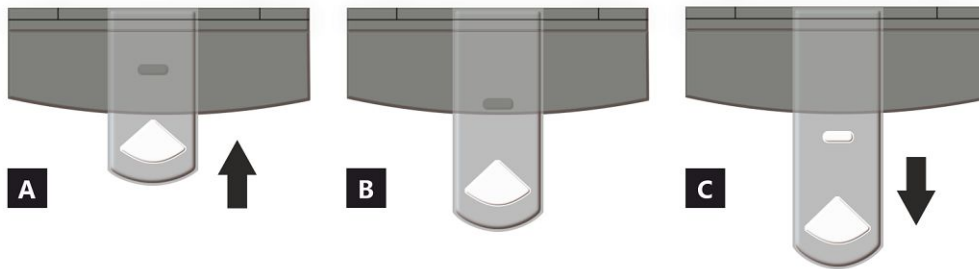
Öffnen Sie zuerst spaltbreit die Feuerraumtür und warten etwa 10 Sekunden, um den Druck im Raum auszugleichen. Dadurch wird ein mögliches Austreten von Asche und Rauch in den Raum verhindert. Legen Sie nur die für das Produkt geeignete Holzmenge nach, siehe durchschnittlichen Brennstoffverbrauch (Abb. 4). Schließen Sie danach die Feuerraumtür. Es wird empfohlen, den Luftregler auf die optimale Position bei Standardmenge einzustellen (Pos. B, B1). Legen Sie erst nach, wenn das Holz bis zur Glut abgebrannt ist.

### 4 Heizen beenden

Um ein unerwünschtes Entweichen der kumulierten Wärme in den Schornstein zu verhindern, empfehlen wir Ihnen den Luftregler nach dem Ausbrennen der Brennkammer zu schließen (Pos. A).



- 1** Brennstoff vorbereiten
- 2** Holz in der Brennkammer stapeln
- 3** Anzünden von oben
- 4** Nachlegen



- A** geschlossen
- B** offen – Heizen im Nennwärmeleistung (optimaler Betrieb)
- C** offen – Position bei Inbetriebnahme (Anheizen)

- A** geschlossen
- B1** offen – Heizen im Nennwärmebereich
- B2** offen – Primärluft geschlossen
- C** offen – Position bei Inbetriebnahme (Anheizen)

## Deklarierte Produkteigenschaften

| Harmonisierte technische Spezifikation   |                                    |                         |                              |                         |
|--|------------------------------------|-------------------------|------------------------------|-------------------------|
| ✓ EN 16510-1 ed.2:2023   EN 16510-2-1:2022    ✓ Ecodesign    ✓ DIN+    ✓ BImSchV2    ✓ 15a B-VG 2015 |                                    |                         |                              |                         |
| Produktklassifizierung   | Type BE                            |                         |                              |                         |
|  |                                    | Nennwärmeleistung (nom) | Teillastwärmeleistung (part) |                         |
| Energiewirkungsgrad  | $\eta_{nom}   \eta_{part}$         | 81                      | 78                           | %                       |
| Raumheizungs-Jahresnutzungsgrad  | $\eta_{Snom}   \eta_{Spart}$       | 72                      | ---                          | %                       |
| Energieeffizienzindex  | EEI                                | 108                     |                              |                         |
| Energielabel   |                                    | A+                      |                              |                         |
| Brennstoff   |                                    | Scheitholz              |                              |                         |
| Brennstofflänge  |                                    | 180-350                 |                              | mm                      |
| Durchschnittlicher Brennstoffverbrauch   |                                    | 2,04                    | 1,46                         | kg/h                    |
| Zulässiger Brennstoffverbrauch   |                                    | 2,6                     |                              | kg/h                    |
| Brennstofflieferintervall  |                                    | 1 Stunde                |                              |                         |
| Verbrennungsluftmenge  |                                    | 25,9                    |                              | m <sup>3</sup> /h       |
| Nennwärmeleistung  | $P_{nom}   P_{part}$               | 6,8                     | 4,7                          | kW                      |
| Wärmetauscherleistung  | $P_{Wnom}   P_{Wpart}$             | ---                     | ---                          | kW                      |
| Maximaler Wasserbetriebsdruck  | $p_W$                              | ---                     |                              | bar                     |
| Rauchgasmassenstrom (trocken)  | $\Phi_{f,g nom}   \Phi_{f,g part}$ | 5,4                     | 4,6                          | g/s                     |
| Rauchgasaustrittstemperatur  | $T_{snom}   T_{spart}$             | 330                     | 318                          | °C                      |
| Förderdruck  | $p_{nom}   p_{part}$               | 12                      | 8                            | Pa                      |
| Temperaturklasse   |                                    | T400                    |                              |                         |
| Mehrfachbelegung   |                                    | Ja                      |                              |                         |
| Lagerung von Brennstoff im Holzfach  |                                    | Nein                    |                              |                         |
| Maximale Erwärmung des Holzes im Holzfach  |                                    | ---                     |                              | °C                      |
| Feinstaub O <sub>2</sub> = 13 %  | $PM_{nom}   PM_{part}$             | 33                      | 24                           | mg/Nm <sup>3</sup>      |
| CO <sub>2</sub>  |                                    | 10,76                   | 9,03                         | %                       |
| Abgasemission (CO in den Abgasen bei O <sub>2</sub> = 13 %)  | $CO_{nom}   CO_{part}$             | 0,0761<br>951           | ---                          | %<br>mg/Nm <sup>3</sup> |
| OGC O <sub>2</sub> = 13 %  | $OGC_{nom}   OGC_{part}$           | 50                      | 82                           | mg/Nm <sup>3</sup>      |
| NO <sub>x</sub> O <sub>2</sub> = 13 %  | $NO_{xnom}   NO_{xpart}$           | 88                      | 91                           | mg/Nm <sup>3</sup>      |
| Automatische Abbrandsteuerung  |                                    | ---                     | ---                          |                         |
| Stromverbrauch im Bereitschaftszustand   | $e_{lSB}$                          | ---                     |                              | kW                      |
| Stromverbrauch   | $e_{lmax}   e_{lmin}$              | ---                     | ---                          | kW                      |
| Ständiger Luftverlust  | $V_h$                              | ---                     |                              | m <sup>3</sup> /h       |
| Intervallbetrieb   Dauerbetrieb  | INT   CON                          | INT                     |                              |                         |

## Technische Grunddaten

|   |            |                 |    |
|---|------------|-----------------|----|
| Hauptabmessungen (Höhe   Breite   Tiefe)              | H   W   L  | 915   740   371 | mm |
| Abmessungen der Brennkammer (Höhe   Breite   Tiefe)   | H   W   L  | 334   515   255 | mm |
| Abmessungen der Feuerraumtür (Höhe   Breite   Tiefe)  | H   W   L  | ---   ---   --- | mm |
| Achshöhe hinterer (seitlichen) Rauchrohanschluss      |            | 787             | mm |
| Volumen Wärmetauscher                                 |            | ---             | l  |
| Rauchrohrdurchmesser                                  |            | 150             | mm |
| Abgasstutzen  | $d_{out}$  | 150             | mm |
| Durchmesser zentrale Luftzufuhr                       |            | 125             | mm |
| Maximale Länge (Rohrleitung) der zentralen Luftzufuhr |            | 5000            | mm |
| Gewicht   | m          | 179             | kg |
| Tragfähigkeit   | $m_{chim}$ | 200             | kg |

## Heizleistung (Brennwert)

mindestraumgröße für die Installation des Produkts

|  |   |     |                |
|--|---|-----|----------------|
| Wärmedämmung des Hauses – sehr gut (20 W/m <sup>3</sup> )      | z.B. neues, isoliertes Haus / ständig bewohnt | 236 | m <sup>3</sup> |
| Wärmedämmung des Hauses – gut (22,5 W/m <sup>3</sup> )         |   | 210 | m <sup>3</sup> |
| Wärmedämmung des Hauses – mittel (32 W/m <sup>3</sup> )        |   | 148 | m <sup>3</sup> |
| Wärmedämmung des Hauses – schlecht (45 W/m <sup>3</sup> )      |   | 105 | m <sup>3</sup> |
| Wärmedämmung des Hauses – sehr schlecht (50 W/m <sup>3</sup> ) | z.B. altes, ungedämmtes Haus / Hütte / Chalet | 94  | m <sup>3</sup> |

## Abstand zu brennbaren Materialien

mit unisoliertem Rauchrohr (auf dem Typenschild angegeben)

Bemerkung

|                             |          |      |    |
|-----------------------------|----------|------|----|
| Rückwand                    | $d_R$    | 300  | mm |
| Strahlungsbereich           | $d_P$    | 1150 | mm |
| Strahlungsbereich zum Boden | $d_F$    | 0    | mm |
| Seitenwände                 | $d_S$    | 350  | mm |
| Seite mit Glas              | $d_{S1}$ | ---  | mm |
| Seite – Nische              | $d_{S2}$ | 200  | mm |
| Seite – Ausrichtung 45°     | $d_{S3}$ | 100  | mm |
| Seitliche Strahlung         | $d_L$    | 0    | mm |
| Von dem Boden               | $d_B$    | 0    | mm |
| Von der Decke               | $d_C$    | ---  | mm |

## Abstand zu brennbaren Materialien mit isoliertem Rauchrohr \*

|             |       |     |    |
|-------------|-------|-----|----|
| Rückwand    | $d_R$ | --- | mm |
| Seitenwände | $d_S$ | --- | mm |

## Abstand zu brennbaren Materialien mit Aufhängeblech (Abschirmung)

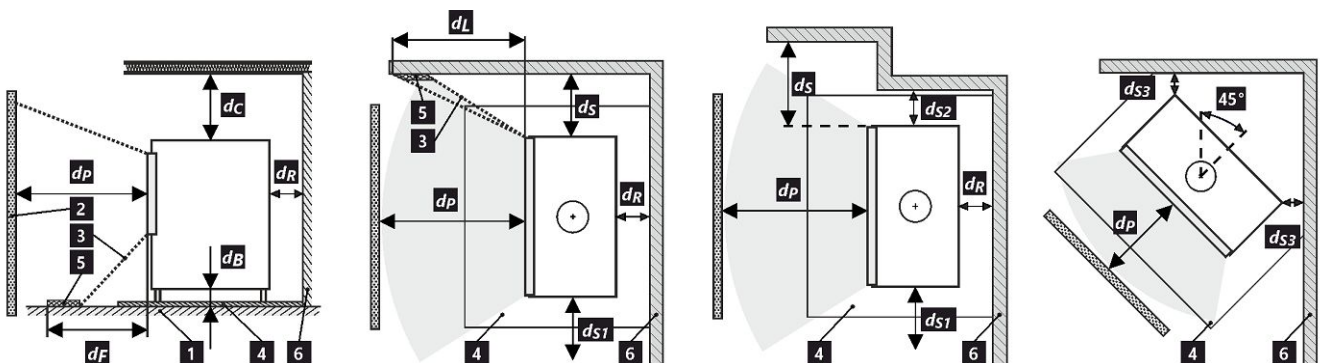
|             |       |     |    |
|-------------|-------|-----|----|
| Rückwand    | $d_R$ | 180 | mm |
| Seitenwände | $d_S$ | 350 | mm |

## Abstand zu brennbaren Materialien mit isoliertem Rauchrohr und Aufhängeblech (Abschirmung) \*

|             |       |     |    |
|-------------|-------|-----|----|
| Rückwand    | $d_R$ | 100 | mm |
| Seitenwände | $d_S$ | 350 | mm |

## Abstand zu nicht brennbaren Materialien

|                         |             |     |    |
|-------------------------|-------------|-----|----|
| Rückwand                | $d_{Rnon}$  | 80  | mm |
| Seitenwände             | $d_{Snon}$  | 350 | mm |
| Seite – Nische          | $d_{S2non}$ | 80  | mm |
| Seite – Ausrichtung 45° | $d_{S3non}$ | 80  | mm |



1 Boden | 2 Gegenstand | 3 Strahlungsbereich | 4 Bodenschutzplatte | 5 kritischer Bereich (aufgrund von Strahlung) | 6 Brennbare Wand

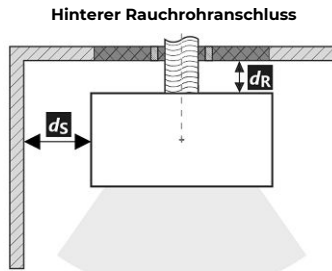
Bei der Installation und dem Betrieb des Ofens sind alle örtlichen Vorschriften sowie nationale und europäische Normen zu beachten.

Produkt, das auf einem Boden aus brennbaren Materialien installiert wird, muss mit einer Bodenschutzplatte aus nicht brennbarem Material ausgestattet sein, die mindestens 400 mm in Frontrichtung und 100 mm in anderen Richtungen über die Grundfläche hinausragt. Das Produkt muss auf einem Boden mit ausreichender Tragfähigkeit installiert werden.

\* Der Abstand setzt die Verwendung eines isolierten Rauchrohrs mit einer Mindestdämmstärke von 25 mm bis zum Produkt voraus.

## Abstand zu brennbaren (nicht brennbaren) Materialien – hinterer Rauchrohranschluss

|             |       |     |    |
|-------------|-------|-----|----|
| Rückwand    | $d_R$ | 300 | mm |
| Seitenwände | $d_S$ | 350 | mm |



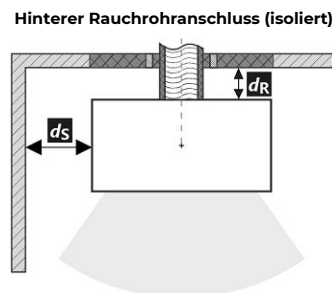
Durchgang des Rauchrohrs durch eine Wand aus brennbarem Material



1. Wand
2. Rauchrohr
3. Abdeckplatte (nicht brennbar, kein metallisch)
4. Rosette
5. Schutzrohr
6. Isolierung (nicht entflammbar, z. B. Glasfaser)
7. Isolierung (nicht brennbar, z. B. Ofenlehm)

## Abstand zu brennbaren (nicht brennbaren) Materialien – hinterer Rauchrohranschluss (isoliert)

|             |       |     |    |
|-------------|-------|-----|----|
| Rückwand    | $d_R$ | --- | mm |
| Seitenwände | $d_S$ | 350 | mm |



Durchgang des Rauchrohrs durch eine Wand aus brennbarem Material



1. Wand
2. Isoliertes Rauchrohr
3. Abdeckplatte (nicht brennbar, kein metallisch)
4. Rosette
5. Schutzrohr
6. Isolierung (nicht entflammbar, z. B. Glasfaser)
7. Isolierung (nicht brennbar, z. B. Ofenlehm)

## Warnhinweise




Bei Installation in Räumen mit Ventilatoren, Abzugshauben, Lüftungs-, Heizungs- oder Belüftungsanlagen muss eine ausreichende Luftzufuhr (ZLZ) gewährleistet sein. Schalten Sie alle Lüftungsanlagen in Ihrer Wohnung vor dem Nachlegen aus.

Wählen Sie den Aufstellungsort so aus, dass ausreichend Platz zur Reinigung und Instandhaltung vom Kaminofen, Rauchrohr und Schornstein vorhanden ist, falls die Reinigung nicht von anderen Stellen – wie z.B. vom Dach – durchgeführt werden kann.

Produkt und seine Abgasleitungen sollten regelmäßig vor und nach der Heizperiode überprüft und gereinigt werden.



Lesen Sie die allgemeine Bedienungsanleitung sorgfältig durch.

| 1                                      | LOGO  | 3      | CE24   | 4  | TYPE<br>THE MODEL NUMBER  |      |   |    |  |  |        |   |        |        |                           |                    |        |        |  |                    |        |        |                            |                    |        |        |                           |                    |        |        |   |    |  |  |                |     |  |  |                |    |  |  |                |    |  |  |                |    |  |  |                |    |  |  |                |    |  |  |                   |    |  |  |                    |    |  |  |                  |   |     |  |                |    |  |  |                |                   |     |  |                  |    |  |  |   |    |  |  |   |    |  |  |   |    |  |  |    |                |
|--|---|--------|--------|----|---|------|---|----|--|--|--------|---|--------|--------|---------------------------|--------------------|--------|--------|--|--------------------|--------|--------|----------------------------|--------------------|--------|--------|---------------------------|--------------------|--------|--------|---|----|--|--|----------------|-----|--|--|----------------|----|--|--|----------------|----|--|--|----------------|----|--|--|----------------|----|--|--|----------------|----|--|--|-------------------|----|--|--|--------------------|----|--|--|------------------|---|-----|--|----------------|----|--|--|----------------|-------------------|-----|--|------------------|----|--|--|---|----|--|--|---|----|--|--|---|----|--|--|----|----------------|
| 2                                      | Company<br>WEB  |        |        |    |   |      |   |    |  |  |        |   |        |        |                           |                    |        |        |  |                    |        |        |                            |                    |        |        |                           |                    |        |        |   |    |  |  |                |     |  |  |                |    |  |  |                |    |  |  |                |    |  |  |                |    |  |  |                |    |  |  |                   |    |  |  |                    |    |  |  |                  |   |     |  |                |    |  |  |                |                   |     |  |                  |    |  |  |   |    |  |  |   |    |  |  |   |    |  |  |    |                |
| 5                                      | Residential solid fuel burning appliance – with water heating.<br>Häusliche Feuerstätte für feste Brennstoffe – mit Warmwasserbereitung.<br>Appareil à combustibles solides dans les bâtiments résidentiels – avec chauffage de l'eau.<br>Apparecchio a combustibili solidi in edifici residenziali – con riscaldamento dell'acqua.   |        |        |    |   |      |   |    |  |  |        |   |        |        |                           |                    |        |        |  |                    |        |        |                            |                    |        |        |                           |                    |        |        |   |    |  |  |                |     |  |  |                |    |  |  |                |    |  |  |                |    |  |  |                |    |  |  |                |    |  |  |                   |    |  |  |                    |    |  |  |                  |   |     |  |                |    |  |  |                |                   |     |  |                  |    |  |  |   |    |  |  |   |    |  |  |   |    |  |  |    |                |
| 6                                      | Use only these recommended fuels.   Verwenden Sie nur diese empfohlenen Brennstoffe.<br>N'utilisez que ces combustibles recommandés.   Usare solo questi combustibili raccomandati.<br>Wood logs   Scheitholz   Büches   Legna  |        |        |    |   |      |   |    |  |  |        |   |        |        |                           |                    |        |        |  |                    |        |        |                            |                    |        |        |                           |                    |        |        |   |    |  |  |                |     |  |  |                |    |  |  |                |    |  |  |                |    |  |  |                |    |  |  |                |    |  |  |                   |    |  |  |                    |    |  |  |                  |   |     |  |                |    |  |  |                |                   |     |  |                  |    |  |  |   |    |  |  |   |    |  |  |   |    |  |  |    |                |
| 7                                      | Type of appliance   Klassifizierung des Geräts<br>Classification de l'appareil   Classificazione dell'apparecchio<br>Typ B  |        |        |    |   |      |   |    |  |  |        |   |        |        |                           |                    |        |        |  |                    |        |        |                            |                    |        |        |                           |                    |        |        |   |    |  |  |                |     |  |  |                |    |  |  |                |    |  |  |                |    |  |  |                |    |  |  |                |    |  |  |                   |    |  |  |                    |    |  |  |                  |   |     |  |                |    |  |  |                |                   |     |  |                  |    |  |  |   |    |  |  |   |    |  |  |   |    |  |  |    |                |
| 8                                      | Standards   Normen<br>Normes   Norme<br>ČSN EN 16510-1 ed. 2:2023   Ecodesign   BImSchV2   DIN+   15a B-VG 2015   |        |        |    |   |      |   |    |  |  |        |   |        |        |                           |                    |        |        |  |                    |        |        |                            |                    |        |        |                           |                    |        |        |   |    |  |  |                |     |  |  |                |    |  |  |                |    |  |  |                |    |  |  |                |    |  |  |                |    |  |  |                   |    |  |  |                    |    |  |  |                  |   |     |  |                |    |  |  |                |                   |     |  |                  |    |  |  |   |    |  |  |   |    |  |  |   |    |  |  |    |                |
| 9                                      | <table border="1"> <thead> <tr> <th></th> <th></th> <th>nom</th> <th>part</th> </tr> </thead> <tbody> <tr> <td>P</td> <td>kW</td> <td></td> <td></td> </tr> <tr> <td><math>\eta</math></td> <td>%</td> <td><math>\geq</math></td> <td><math>\geq</math></td> </tr> <tr> <td>CO (13 % O<sub>2</sub>)</td> <td>mg/Nm<sup>3</sup></td> <td><math>\leq</math></td> <td><math>\leq</math></td> </tr> <tr> <td>NO<sub>x</sub> (13 % O<sub>2</sub>)</td> <td>mg/Nm<sup>3</sup></td> <td><math>\leq</math></td> <td><math>\leq</math></td> </tr> <tr> <td>OGC (13 % O<sub>2</sub>)</td> <td>mg/Nm<sup>3</sup></td> <td><math>\leq</math></td> <td><math>\leq</math></td> </tr> <tr> <td>PM (13 % O<sub>2</sub>)</td> <td>mg/Nm<sup>3</sup></td> <td><math>\leq</math></td> <td><math>\leq</math></td> </tr> <tr> <td>p</td> <td>Pa</td> <td></td> <td></td> </tr> <tr> <td>P<sub>w</sub></td> <td>bar</td> <td></td> <td></td> </tr> <tr> <td>d<sub>r</sub></td> <td>mm</td> <td></td> <td></td> </tr> <tr> <td>d<sub>f</sub></td> <td>mm</td> <td></td> <td></td> </tr> <tr> <td>d<sub>c</sub></td> <td>mm</td> <td></td> <td></td> </tr> <tr> <td>d<sub>L</sub></td> <td>mm</td> <td></td> <td></td> </tr> <tr> <td>d<sub>B</sub></td> <td>mm</td> <td></td> <td></td> </tr> <tr> <td>d<sub>Snon</sub></td> <td>mm</td> <td></td> <td></td> </tr> <tr> <td>d<sub>S2non</sub></td> <td>mm</td> <td></td> <td></td> </tr> <tr> <td>W<sub>max</sub></td> <td>W</td> <td>NPD</td> <td></td> </tr> <tr> <td>T<sub>s</sub></td> <td>°C</td> <td></td> <td></td> </tr> <tr> <td>V<sub>h</sub></td> <td>m<sup>3</sup>/h</td> <td>NPD</td> <td></td> </tr> <tr> <td>d<sub>out</sub></td> <td>mm</td> <td></td> <td></td> </tr> <tr> <td>H</td> <td>mm</td> <td></td> <td></td> </tr> <tr> <td>W</td> <td>mm</td> <td></td> <td></td> </tr> <tr> <td>L</td> <td>mm</td> <td></td> <td></td> </tr> </tbody> </table> |        |        |    | nom   | part | P | kW |  |  | $\eta$ | % | $\geq$ | $\geq$ | CO (13 % O <sub>2</sub> ) | mg/Nm <sup>3</sup> | $\leq$ | $\leq$ | NO <sub>x</sub> (13 % O <sub>2</sub> ) | mg/Nm <sup>3</sup> | $\leq$ | $\leq$ | OGC (13 % O <sub>2</sub> ) | mg/Nm <sup>3</sup> | $\leq$ | $\leq$ | PM (13 % O <sub>2</sub> ) | mg/Nm <sup>3</sup> | $\leq$ | $\leq$ | p | Pa |  |  | P <sub>w</sub> | bar |  |  | d <sub>r</sub> | mm |  |  | d <sub>f</sub> | mm |  |  | d <sub>c</sub> | mm |  |  | d <sub>L</sub> | mm |  |  | d <sub>B</sub> | mm |  |  | d <sub>Snon</sub> | mm |  |  | d <sub>S2non</sub> | mm |  |  | W <sub>max</sub> | W | NPD |  | T <sub>s</sub> | °C |  |  | V <sub>h</sub> | m <sup>3</sup> /h | NPD |  | d <sub>out</sub> | mm |  |  | H | mm |  |  | W | mm |  |  | L | mm |  |  | 10 | DOP/CPR<br>doc |
|  |   | nom    | part   |    |   |      |   |    |  |  |        |   |        |        |                           |                    |        |        |  |                    |        |        |                            |                    |        |        |                           |                    |        |        |   |    |  |  |                |     |  |  |                |    |  |  |                |    |  |  |                |    |  |  |                |    |  |  |                |    |  |  |                   |    |  |  |                    |    |  |  |                  |   |     |  |                |    |  |  |                |                   |     |  |                  |    |  |  |   |    |  |  |   |    |  |  |   |    |  |  |    |                |
| P                                      | kW  |        |        |    |   |      |   |    |  |  |        |   |        |        |                           |                    |        |        |  |                    |        |        |                            |                    |        |        |                           |                    |        |        |   |    |  |  |                |     |  |  |                |    |  |  |                |    |  |  |                |    |  |  |                |    |  |  |                |    |  |  |                   |    |  |  |                    |    |  |  |                  |   |     |  |                |    |  |  |                |                   |     |  |                  |    |  |  |   |    |  |  |   |    |  |  |   |    |  |  |    |                |
| $\eta$                                 | %   | $\geq$ | $\geq$ |    |   |      |   |    |  |  |        |   |        |        |                           |                    |        |        |  |                    |        |        |                            |                    |        |        |                           |                    |        |        |   |    |  |  |                |     |  |  |                |    |  |  |                |    |  |  |                |    |  |  |                |    |  |  |                |    |  |  |                   |    |  |  |                    |    |  |  |                  |   |     |  |                |    |  |  |                |                   |     |  |                  |    |  |  |   |    |  |  |   |    |  |  |   |    |  |  |    |                |
| CO (13 % O <sub>2</sub> )              | mg/Nm <sup>3</sup>  | $\leq$ | $\leq$ |    |   |      |   |    |  |  |        |   |        |        |                           |                    |        |        |  |                    |        |        |                            |                    |        |        |                           |                    |        |        |   |    |  |  |                |     |  |  |                |    |  |  |                |    |  |  |                |    |  |  |                |    |  |  |                |    |  |  |                   |    |  |  |                    |    |  |  |                  |   |     |  |                |    |  |  |                |                   |     |  |                  |    |  |  |   |    |  |  |   |    |  |  |   |    |  |  |    |                |
| NO <sub>x</sub> (13 % O <sub>2</sub> ) | mg/Nm <sup>3</sup>  | $\leq$ | $\leq$ |    |   |      |   |    |  |  |        |   |        |        |                           |                    |        |        |  |                    |        |        |                            |                    |        |        |                           |                    |        |        |   |    |  |  |                |     |  |  |                |    |  |  |                |    |  |  |                |    |  |  |                |    |  |  |                |    |  |  |                   |    |  |  |                    |    |  |  |                  |   |     |  |                |    |  |  |                |                   |     |  |                  |    |  |  |   |    |  |  |   |    |  |  |   |    |  |  |    |                |
| OGC (13 % O <sub>2</sub> )             | mg/Nm <sup>3</sup>  | $\leq$ | $\leq$ |    |   |      |   |    |  |  |        |   |        |        |                           |                    |        |        |  |                    |        |        |                            |                    |        |        |                           |                    |        |        |   |    |  |  |                |     |  |  |                |    |  |  |                |    |  |  |                |    |  |  |                |    |  |  |                |    |  |  |                   |    |  |  |                    |    |  |  |                  |   |     |  |                |    |  |  |                |                   |     |  |                  |    |  |  |   |    |  |  |   |    |  |  |   |    |  |  |    |                |
| PM (13 % O <sub>2</sub> )              | mg/Nm <sup>3</sup>  | $\leq$ | $\leq$ |    |   |      |   |    |  |  |        |   |        |        |                           |                    |        |        |  |                    |        |        |                            |                    |        |        |                           |                    |        |        |   |    |  |  |                |     |  |  |                |    |  |  |                |    |  |  |                |    |  |  |                |    |  |  |                |    |  |  |                   |    |  |  |                    |    |  |  |                  |   |     |  |                |    |  |  |                |                   |     |  |                  |    |  |  |   |    |  |  |   |    |  |  |   |    |  |  |    |                |
| p                                      | Pa  |        |        |    |   |      |   |    |  |  |        |   |        |        |                           |                    |        |        |  |                    |        |        |                            |                    |        |        |                           |                    |        |        |   |    |  |  |                |     |  |  |                |    |  |  |                |    |  |  |                |    |  |  |                |    |  |  |                |    |  |  |                   |    |  |  |                    |    |  |  |                  |   |     |  |                |    |  |  |                |                   |     |  |                  |    |  |  |   |    |  |  |   |    |  |  |   |    |  |  |    |                |
| P <sub>w</sub>                         | bar   |        |        |    |   |      |   |    |  |  |        |   |        |        |                           |                    |        |        |  |                    |        |        |                            |                    |        |        |                           |                    |        |        |   |    |  |  |                |     |  |  |                |    |  |  |                |    |  |  |                |    |  |  |                |    |  |  |                |    |  |  |                   |    |  |  |                    |    |  |  |                  |   |     |  |                |    |  |  |                |                   |     |  |                  |    |  |  |   |    |  |  |   |    |  |  |   |    |  |  |    |                |
| d <sub>r</sub>                         | mm  |        |        |    |   |      |   |    |  |  |        |   |        |        |                           |                    |        |        |  |                    |        |        |                            |                    |        |        |                           |                    |        |        |   |    |  |  |                |     |  |  |                |    |  |  |                |    |  |  |                |    |  |  |                |    |  |  |                |    |  |  |                   |    |  |  |                    |    |  |  |                  |   |     |  |                |    |  |  |                |                   |     |  |                  |    |  |  |   |    |  |  |   |    |  |  |   |    |  |  |    |                |
| d <sub>f</sub>                         | mm  |        |        |    |   |      |   |    |  |  |        |   |        |        |                           |                    |        |        |  |                    |        |        |                            |                    |        |        |                           |                    |        |        |   |    |  |  |                |     |  |  |                |    |  |  |                |    |  |  |                |    |  |  |                |    |  |  |                |    |  |  |                   |    |  |  |                    |    |  |  |                  |   |     |  |                |    |  |  |                |                   |     |  |                  |    |  |  |   |    |  |  |   |    |  |  |   |    |  |  |    |                |
| d <sub>c</sub>                         | mm  |        |        |    |   |      |   |    |  |  |        |   |        |        |                           |                    |        |        |  |                    |        |        |                            |                    |        |        |                           |                    |        |        |   |    |  |  |                |     |  |  |                |    |  |  |                |    |  |  |                |    |  |  |                |    |  |  |                |    |  |  |                   |    |  |  |                    |    |  |  |                  |   |     |  |                |    |  |  |                |                   |     |  |                  |    |  |  |   |    |  |  |   |    |  |  |   |    |  |  |    |                |
| d <sub>L</sub>                         | mm  |        |        |    |   |      |   |    |  |  |        |   |        |        |                           |                    |        |        |  |                    |        |        |                            |                    |        |        |                           |                    |        |        |   |    |  |  |                |     |  |  |                |    |  |  |                |    |  |  |                |    |  |  |                |    |  |  |                |    |  |  |                   |    |  |  |                    |    |  |  |                  |   |     |  |                |    |  |  |                |                   |     |  |                  |    |  |  |   |    |  |  |   |    |  |  |   |    |  |  |    |                |
| d <sub>B</sub>                         | mm  |        |        |    |   |      |   |    |  |  |        |   |        |        |                           |                    |        |        |  |                    |        |        |                            |                    |        |        |                           |                    |        |        |   |    |  |  |                |     |  |  |                |    |  |  |                |    |  |  |                |    |  |  |                |    |  |  |                |    |  |  |                   |    |  |  |                    |    |  |  |                  |   |     |  |                |    |  |  |                |                   |     |  |                  |    |  |  |   |    |  |  |   |    |  |  |   |    |  |  |    |                |
| d <sub>Snon</sub>                      | mm  |        |        |    |   |      |   |    |  |  |        |   |        |        |                           |                    |        |        |  |                    |        |        |                            |                    |        |        |                           |                    |        |        |   |    |  |  |                |     |  |  |                |    |  |  |                |    |  |  |                |    |  |  |                |    |  |  |                |    |  |  |                   |    |  |  |                    |    |  |  |                  |   |     |  |                |    |  |  |                |                   |     |  |                  |    |  |  |   |    |  |  |   |    |  |  |   |    |  |  |    |                |
| d <sub>S2non</sub>                     | mm  |        |        |    |   |      |   |    |  |  |        |   |        |        |                           |                    |        |        |  |                    |        |        |                            |                    |        |        |                           |                    |        |        |   |    |  |  |                |     |  |  |                |    |  |  |                |    |  |  |                |    |  |  |                |    |  |  |                |    |  |  |                   |    |  |  |                    |    |  |  |                  |   |     |  |                |    |  |  |                |                   |     |  |                  |    |  |  |   |    |  |  |   |    |  |  |   |    |  |  |    |                |
| W <sub>max</sub>                       | W   | NPD    |        |    |   |      |   |    |  |  |        |   |        |        |                           |                    |        |        |  |                    |        |        |                            |                    |        |        |                           |                    |        |        |   |    |  |  |                |     |  |  |                |    |  |  |                |    |  |  |                |    |  |  |                |    |  |  |                |    |  |  |                   |    |  |  |                    |    |  |  |                  |   |     |  |                |    |  |  |                |                   |     |  |                  |    |  |  |   |    |  |  |   |    |  |  |   |    |  |  |    |                |
| T <sub>s</sub>                         | °C  |        |        |    |   |      |   |    |  |  |        |   |        |        |                           |                    |        |        |  |                    |        |        |                            |                    |        |        |                           |                    |        |        |   |    |  |  |                |     |  |  |                |    |  |  |                |    |  |  |                |    |  |  |                |    |  |  |                |    |  |  |                   |    |  |  |                    |    |  |  |                  |   |     |  |                |    |  |  |                |                   |     |  |                  |    |  |  |   |    |  |  |   |    |  |  |   |    |  |  |    |                |
| V <sub>h</sub>                         | m <sup>3</sup> /h   | NPD    |        |    |   |      |   |    |  |  |        |   |        |        |                           |                    |        |        |  |                    |        |        |                            |                    |        |        |                           |                    |        |        |   |    |  |  |                |     |  |  |                |    |  |  |                |    |  |  |                |    |  |  |                |    |  |  |                |    |  |  |                   |    |  |  |                    |    |  |  |                  |   |     |  |                |    |  |  |                |                   |     |  |                  |    |  |  |   |    |  |  |   |    |  |  |   |    |  |  |    |                |
| d <sub>out</sub>                       | mm  |        |        |    |   |      |   |    |  |  |        |   |        |        |                           |                    |        |        |  |                    |        |        |                            |                    |        |        |                           |                    |        |        |   |    |  |  |                |     |  |  |                |    |  |  |                |    |  |  |                |    |  |  |                |    |  |  |                |    |  |  |                   |    |  |  |                    |    |  |  |                  |   |     |  |                |    |  |  |                |                   |     |  |                  |    |  |  |   |    |  |  |   |    |  |  |   |    |  |  |    |                |
| H                                      | mm  |        |        |    |   |      |   |    |  |  |        |   |        |        |                           |                    |        |        |  |                    |        |        |                            |                    |        |        |                           |                    |        |        |   |    |  |  |                |     |  |  |                |    |  |  |                |    |  |  |                |    |  |  |                |    |  |  |                |    |  |  |                   |    |  |  |                    |    |  |  |                  |   |     |  |                |    |  |  |                |                   |     |  |                  |    |  |  |   |    |  |  |   |    |  |  |   |    |  |  |    |                |
| W                                      | mm  |        |        |    |   |      |   |    |  |  |        |   |        |        |                           |                    |        |        |  |                    |        |        |                            |                    |        |        |                           |                    |        |        |   |    |  |  |                |     |  |  |                |    |  |  |                |    |  |  |                |    |  |  |                |    |  |  |                |    |  |  |                   |    |  |  |                    |    |  |  |                  |   |     |  |                |    |  |  |                |                   |     |  |                  |    |  |  |   |    |  |  |   |    |  |  |   |    |  |  |    |                |
| L                                      | mm  |        |        |    |   |      |   |    |  |  |        |   |        |        |                           |                    |        |        |  |                    |        |        |                            |                    |        |        |                           |                    |        |        |   |    |  |  |                |     |  |  |                |    |  |  |                |    |  |  |                |    |  |  |                |    |  |  |                |    |  |  |                   |    |  |  |                    |    |  |  |                  |   |     |  |                |    |  |  |                |                   |     |  |                  |    |  |  |   |    |  |  |   |    |  |  |   |    |  |  |    |                |
|  |   |        |        | 11 | When installing and operating the product, follow the installation instructions and general instructions. Not for continuous heating.<br>Bei der Installation und dem Betrieb des Produkts sind die Installations- und die allgemeine Bedienungsanleitung zu beachten. Die Feuerstätte ist nicht für den Dauerbetrieb geeignet.<br>Lors de l'installation et de l'utilisation du produit, suivez les instructions d'installation et le mode d'emploi général. L'appareil n'est pas conçu pour un chauffage continu.<br>Per l'installazione e il funzionamento del prodotto, attenersi alle istruzioni di installazione e alle istruzioni generali. Non per il riscaldamento continuo. |      |   |    |  |  |        |   |        |        |                           |                    |        |        |  |                    |        |        |                            |                    |        |        |                           |                    |        |        |   |    |  |  |                |     |  |  |                |    |  |  |                |    |  |  |                |    |  |  |                |    |  |  |                |    |  |  |                   |    |  |  |                    |    |  |  |                  |   |     |  |                |    |  |  |                |                   |     |  |                  |    |  |  |   |    |  |  |   |    |  |  |   |    |  |  |    |                |
|  |   |        |        | 12 | Serial number   Seriennummer<br>Numéro de série   Numero di serie<br><br>NUMBER   |      |   |    |  |  |        |   |        |        |                           |                    |        |        |  |                    |        |        |                            |                    |        |        |                           |                    |        |        |   |    |  |  |                |     |  |  |                |    |  |  |                |    |  |  |                |    |  |  |                |    |  |  |                |    |  |  |                   |    |  |  |                    |    |  |  |                  |   |     |  |                |    |  |  |                |                   |     |  |                  |    |  |  |   |    |  |  |   |    |  |  |   |    |  |  |    |                |

1. Herstellername oder eingetragene Marke
2. Firmensitz, Website
3. CE-Kennzeichnung, Jahr der Produktzertifizierung
4. Typ und/oder Modellnummer oder Bezeichnung
5. Produktspezifikation
6. Empfohlene Brennstoffe
7. Produktklassifizierung
8. Gültige Normen
9. Wertetabelle

**nom** – Werte bei Nennwärmeleistung

**part** – Werte bei Teilwärmeleistung

P – Wärmeleistung

P<sub>w</sub> – Wärmetauscherleistung

$\eta$  – Wirkungsgrad

CO – CO-Emissionen bei 13 % O<sub>2</sub>

NO<sub>x</sub> – NO<sub>x</sub> bei 13 % O<sub>2</sub>

OGC – OGC bei 13 % O<sub>2</sub>

PM – Feinstaub bei 13 % O<sub>2</sub>

p – minimaler Schornsteinzug

p<sub>w</sub> – maximale Betriebsdruck

### Sicherheitsabstände von brennbaren Materialien:

d<sub>R</sub> – Rückwand

d<sub>S</sub> – Seitenwände

d<sub>C</sub> – von der Decke

d<sub>P</sub> – Strahlungsbereich

d<sub>F</sub> – Strahlungsbereich zum Boden

d<sub>L</sub> – seitliche Strahlung

d<sub>B</sub> – von dem Boden

### Sicherheitsabstände von nicht brennbaren Materialien:

d<sub>Rnon</sub> – Rückwand

d<sub>Snon</sub> – Seitenwände

d<sub>S2non</sub> – Seite (Nische)

### Produkteigenschaften:

W<sub>max</sub> – maximale elektrische Leistungsaufnahme

T<sub>s</sub> – Rauchgasaustrittstemperatur

V<sub>h</sub> – ständiger Luftverlust

d<sub>out</sub> – Abgasstutzen

H – Höhe

W – Breite

L – Tiefe

NPD (No Performance Determined) – wenn keine Leistung aufgeführt ist oder Parameter angegeben sind. Das Etikett entspricht der EU-Verordnung Nr. 305/2011.

10. Leistungserklärung

11. Instruktionen

12. Strichcode | Seriennummer

Toutes les réglementations locales, y compris celles faisant référence aux normes nationales et européennes, doivent être respectées lors de l'installation du produit. Le montage et l'installation du produit que vous avez choisi ne doivent être effectués que par un revendeur agréé de **Romotop spol. s r.o.**, pour que la garantie soit honorée et que le produit fonctionne correctement. Ce produit ne convient pas comme source de chaleur principale du chauffage.

### Mode d'emploi

Veuillez lire attentivement toutes les informations et instructions figurant dans le mode d'emploi.

### Tirage de la cheminée en fonctionnement

Le tirage de fonctionnement est de 12 Pa. Le tirage maximal de fonctionnement est de 20 Pa. Il est mesuré lorsque le produit est en plein fonctionnement. Il est recommandé d'installer un régulateur de tirage, en particulier lorsque l'appareil est équipé d'une unité de régulation automatique de la combustion.

### Combustible autorisé

Le bois coupé en morceaux et sec dont l'humidité résiduelle ne doit pas dépasser 20 %. La consommation moyenne de combustible indiquée doit toujours être respectée – 2,04 kg/h. La longueur recommandée des bûches est d'environ 180-350 mm. Cela dépend de la taille de la chambre de combustion. Utilisez toujours au moins 2 morceaux de bois.

### Fonctionnement du produit

#### 1 Durcissement de la peinture

Si votre poêle à bois est équipé d'une grille verrouillable, il faut la laisser ouverte. Le premier chauffage du produit doit se faire avec une quantité limitée de petits morceaux de bois (environ ½ de la quantité moyenne). Il faut laisser la porte entrouverte (espace d'environ 2 cm), afin que le cordon de la porte ne colle pas à la peinture. Ouvrez également l'arrivée d'air au maximum (pst. C). La lenteur du processus de chauffage évitera les fissures dans les briques d'argile réfractaire, les dommages à la peinture et la déformation des matériaux.

Une fois que le combustible a brûlé sur les charbons, vous pouvez procéder au durcissement de la peinture. Chargez le foyer avec la quantité autorisée de combustible (le double de la quantité autorisée), en utilisant des bûches et des morceaux plus petits. Laissez la porte légèrement entrouverte (environ 2 cm). La peinture sous la porte doit être suffisamment durcie. Lorsque ce bois a brûlé, effectuez d'autres chargements, 2 ou 3 au minimum avec une quantité autorisée de combustible, désormais avec la porte refermée et l'arrivée d'air ouverte au maximum (pst. C). Le durcissement de la peinture s'accompagne d'une odeur qui persiste pendant toute la durée du durcissement de la peinture, donc n'effectuez ce processus qu'avec une ventilation suffisante de la pièce.

#### 2 Mise en chauffe

Placez le levier d'alimentation en air en position ouverte (pst. C), si la régulation automatique de la combustion n'est pas active. Si le produit comprend

une grille en fonte, ouvrez-la. Pour l'allumage utilisez au max. double de la quantité de combustible moyenne. Placez d'abord les grosses bûches au fond de la chambre, puis superposez des bûches plus fines de bois sec (pst. 2) – allumer le feu par le haut. Utilisez un briquet spécialement conçu à cet effet. Si nécessaire (le feu n'a toujours pas démarré après un certain temps), laissez la porte ouverte pendant un certain temps (environ 2 cm), pour un apport d'air supplémentaire suffisant. Ensuite, avec le chauffage standard, il faut toujours garder la porte fermée. N'ajoutez pas de combustible pendant le feu jusqu'à ce que le bois soit complètement brûlé jusqu'aux braises.

#### 3 Chauffage et chargementa

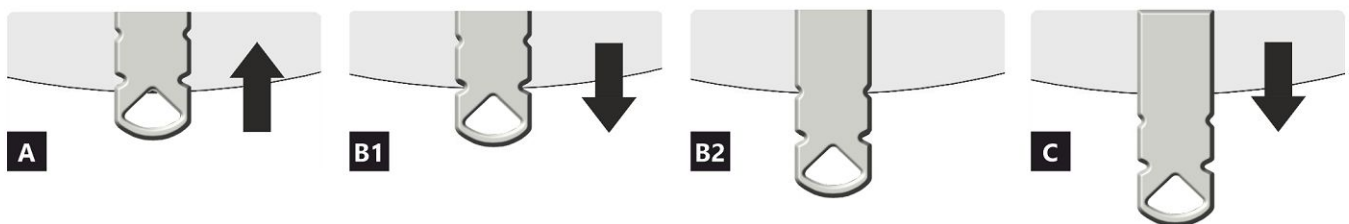
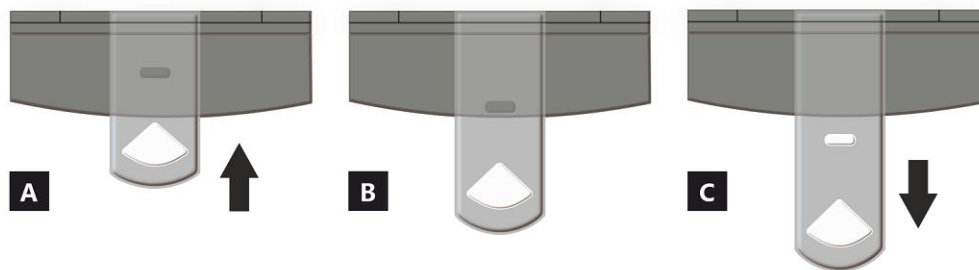
Lors du chargement, ouvrez la porte du poêle d'environ 2 cm et attendez environ 10 secondes pour égaliser la pression dans la pièce. Cela permet d'éviter les fuites éventuelles de cendres et de fumée dans la pièce. N'ajoutez que la quantité de bois qui convient à ce produit, voir la consommation moyenne de combustible (Fig. 4). Fermez la porte du foyer après l'ajout. Il est recommandé de régler le contrôle de l'air sur la position optimale à la puissance nominale (pst. B, B1). N'ajoutez rien tant que le bois n'est pas réduit en braises.

#### 4 Fin du chauffage

Une fois que le bois est consommé, mettez la Commande d'air en air en position fermée. Vous éviterez ainsi toute fuite indésirable de la chaleur accumulée dans la cheminée/à l'extérieur (pst. A).



- 1** préparation du combustible pour l'allumage
- 2** empilage du bois dans le foyer
- 3** allumage du bois par le haut
- 4** chargement



- A** fermée
- B** ouverte – chauffage à la puissance nominale (fonctionnement optimal)
- C** ouverte – position lors du premier allumage du feu (mise en service du produit)

- A** fermée
- B1** ouverte – chauffage à la puissance nominale (fonctionnement optimal)
- B2** ouverte – air primaire fermé
- C** ouverte – position lors du premier allumage du feu (mise en service du produit)

## Caractéristiques déclarées du produit

Norme(s) Européennes ✓ EN 16510-1 ed.2:2023 | EN 16510-2-1:2022 ✓ Ecodesign ✓ DIN+ ✓ BImSchV2 ✓ 15a B-VG 2015

| Classification de l'appareil   | Type BE                            |                                    |                                      |                         |
|--|------------------------------------|------------------------------------|--------------------------------------|-------------------------|
|  |                                    | Puissance thermique nominale (nom) | Puissance thermique partielle (part) |                         |
| Efficacité énergétique   | $\eta_{nom}   \eta_{part}$         | 81                                 | 78                                   | %                       |
| Efficacité énergétique saisonnier à la puissance thermique nominale de l'appareil        | $\eta_{snom}   \eta_{spart}$       | 72                                 | ---                                  | %                       |
| Indice d'efficacité énergétique EEI  | EEI                                | 108                                |                                      |                         |
| Label énergétique  |                                    | A+                                 |                                      |                         |
| Combustible  |                                    | Bûches                             |                                      |                         |
| Longueur recommandée de bûches   |                                    | 180-350                            |                                      | mm                      |
| Consommation moyenne de combustible  |                                    | 2,04                               | 1,46                                 | kg/h                    |
| Charge en bois autorisé  |                                    | 2,6                                |                                      | kg/h                    |
| Intervalle entre les chargements de combustible  |                                    | 1 heure                            |                                      |                         |
| Débit massique des fumées  |                                    | 25,9                               |                                      | m <sup>3</sup> /h       |
| Puissance thermique nominale   | $P_{nom}   P_{part}$               | 6,8                                | 4,7                                  | kW                      |
| Puissance thermique nominale de l'échangeur  | $P_{Wnom}   P_{Wpart}$             | ---                                | ---                                  | kW                      |
| Pression d'eau maximale  | $P_W$                              | ---                                |                                      | bar                     |
| Débit massique des gaz de combustion secs  | $\Phi_{f,g nom}   \Phi_{f,g part}$ | 5,4                                | 4,6                                  | g/s                     |
| Température de sortie des gaz de combustion  | $T_{snom}   T_{s part}$            | 330                                | 318                                  | °C                      |
| Tirage de conduit de fumée   | $P_{nom}   P_{part}$               | 12                                 | 8                                    | Pa                      |
| Classe de température  |                                    | T400                               |                                      |                         |
| Raccordement à une cheminée collective   |                                    | Oui                                |                                      |                         |
| Stockage du combustible dans range bûches  |                                    | Non                                |                                      |                         |
| Réchauffement maximal du bois dans range bûches  |                                    | ---                                |                                      | °C                      |
| Poussière O <sub>2</sub> = 13 %  | $PM_{nom}   PM_{part}$             | 33                                 | 24                                   | mg/Nm <sup>3</sup>      |
| CO <sub>2</sub>  |                                    | 10,76                              | 9,03                                 | %                       |
| Résidu de combustion émis (CO dans les résidus de combustion pour O <sub>2</sub> = 13 %) | $CO_{nom}   CO_{part}$             | 0,0761<br>951                      | ---                                  | %<br>mg/Nm <sup>3</sup> |
| OGC O <sub>2</sub> = 13 %  | $OGC_{nom}   OGC_{part}$           | 50                                 | 82                                   | mg/Nm <sup>3</sup>      |
| NOx O <sub>2</sub> = 13 %  | $NO_{xnom}   NO_{xpart}$           | 88                                 | 91                                   | mg/Nm <sup>3</sup>      |
| Régulation automatique de la combustion  |                                    | ---                                | ---                                  |                         |
| Consommation d'énergie en mode veille  | $e_{lsB}$                          | ---                                |                                      | kW                      |
| Consommation d'électricité   | $e_{lmax}   e_{lmin}$              | ---                                | ---                                  | kW                      |
| Standing air loss  | $V_h$                              | ---                                |                                      | m <sup>3</sup> /h       |
| Fonctionnement par intermittence   Service ininterrompu                                  | INT   CON                          | INT                                |                                      |                         |

## Données techniques de base

|   |            |                 |    |
|---|------------|-----------------|----|
| Dimensions principales (Hauteur   Largeur   Profondeur)                 | H   W   L  | 915   740   371 | mm |
| Dimensions de la chambre de combustion (Hauteur   Largeur   Profondeur) | H   W   L  | 334   515   255 | mm |
| Dimensions de la porte (Hauteur   Largeur   Profondeur)                 | H   W   L  | ---   ---   --- | mm |
| Hauteur de l'axe de la sortie arrière (latérale)                        |            | 787             | mm |
| Volume de l'échangeur de chaleur  |            | ---             | l  |
| Diamètre du conduit de fumée  |            | 150             | mm |
| Diamètre de buse d'air de combustion                                    | $d_{out}$  | 150             | mm |
| Diamètre de l'arrivée d'air centrale                                    |            | 125             | mm |
| Longueur maximale (tuyau) d'arrivée d'air centrale                      |            | 5000            | mm |
| Poids   | m          | 179             | kg |
| Capacité de charge  | $m_{chim}$ | 200             | kg |

**Capacité thermique (Pouvoir calorifique)**

taille minimale de la pièce où est installé l'appareil

|  |   |     |                |
|--|---|-----|----------------|
| Isolation de la maison – très bon (20 W/m <sup>3</sup> )     | par exemple, maison neuve et isolée / habitée en permanence | 236 | m <sup>3</sup> |
| Isolation de la maison – bon (22,5 W/m <sup>3</sup> )        |   | 210 | m <sup>3</sup> |
| Isolation de la maison – moyen (32 W/m <sup>3</sup> )        |   | 148 | m <sup>3</sup> |
| Isolation de la maison – mauvais (45 W/m <sup>3</sup> )      |   | 105 | m <sup>3</sup> |
| Isolation de la maison – très mauvais (50 W/m <sup>3</sup> ) | par exemple une vieille maison / chalet / chalet non isolé  | 94  | m <sup>3</sup> |

**Distance par rapport aux matériaux combustibles**

pour un conduit de fum. non isolé (conform. aux la plaque signalétique)

Note

|                            |          |      |    |
|----------------------------|----------|------|----|
| Arrière                    | $d_R$    | 300  | mm |
| Avant                      | $d_P$    | 1150 | mm |
| Avant (par rapport au sol) | $d_F$    | 0    | mm |
| Latéral                    | $d_S$    | 350  | mm |
| Latéral avec vitre         | $d_{S1}$ | ---  | mm |
| Latéral – niche            | $d_{S2}$ | 200  | mm |
| Latéral – emplacement 45°  | $d_{S3}$ | 100  | mm |
| Rayonnement latéral        | $d_L$    | 0    | mm |
| Depuis le sol              | $d_B$    | 0    | mm |
| Plafond                    | $d_C$    | ---  | mm |

**Distance par rapport aux matériaux combustibles pour un conduit de fumée isolé \***

|         |       |     |    |
|---------|-------|-----|----|
| Arrière | $d_R$ | --- | mm |
| Latéral | $d_S$ | --- | mm |

**Distance par rapport aux matériaux combustibles avec plaque de suspension**

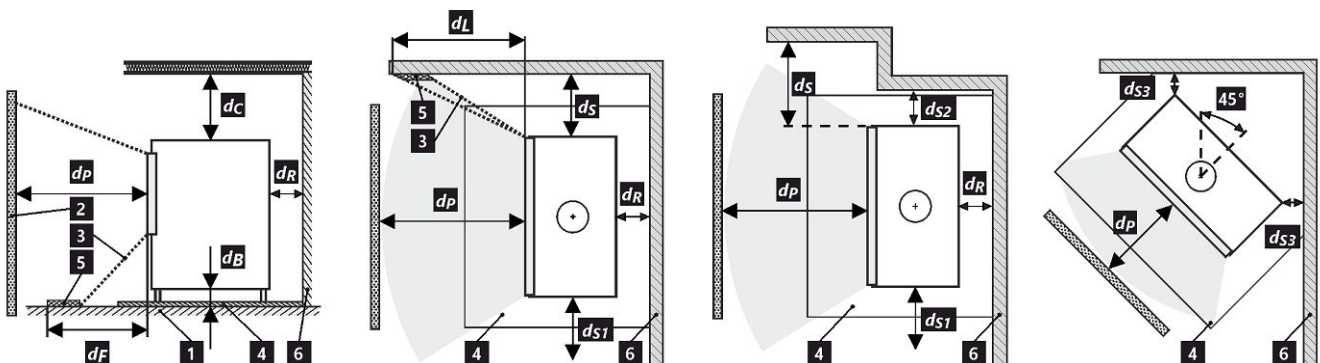
|         |       |     |    |
|---------|-------|-----|----|
| Arrière | $d_R$ | 180 | mm |
| Latéral | $d_S$ | 350 | mm |

**Distance par rapport aux matériaux combustibles pour un conduit de fumée isolé une plaque de suspension \***

|         |       |     |    |
|---------|-------|-----|----|
| Arrière | $d_R$ | 100 | mm |
| Latéral | $d_S$ | 350 | mm |

**Distance par rapport aux matériaux non combustibles**

|                           |             |     |    |
|---------------------------|-------------|-----|----|
| Arrière                   | $d_{Rnon}$  | 80  | mm |
| Latéral                   | $d_{Snon}$  | 350 | mm |
| Latéral – niche           | $d_{S2non}$ | 80  | mm |
| Latéral – emplacement 45° | $d_{S3non}$ | 80  | mm |



1 sol | 2 objet | 3 zone de rayonnement | 4 plaque de protection de sol | 5 zone critique (en raison du rayonnement) | 6 mur combustible

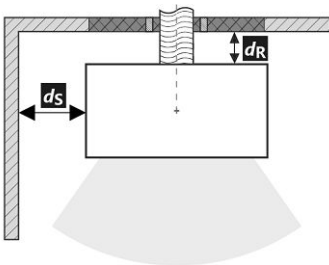
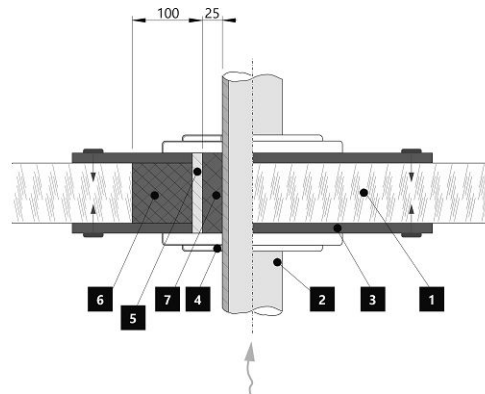
Lors de l'installation et de l'utilisation du produit, toutes les réglementations locales doivent être respectées, y compris celles relatives aux normes nationales et européennes.

Le produit installé sur un sol composé de matériaux combustibles doit être équipé d'une plaque de protection de sol en matériau non combustible dépassant d'au moins 400 mm à l'avant et 100 mm dans les autres directions par rapport à la surface de base du produit. Le produit doit être installé sur des sols présentant une capacité de charge suffisante.

\* La distance suppose l'utilisation d'un conduit de fumée isolé avec une épaisseur d'isolation minimale de 25 mm jusqu'au produit.

**Distance par rapport aux matériaux combustibles (non combustibles) – Raccordement arrière du conduit de fumée**

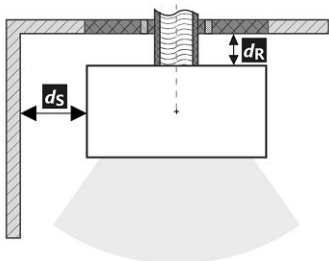
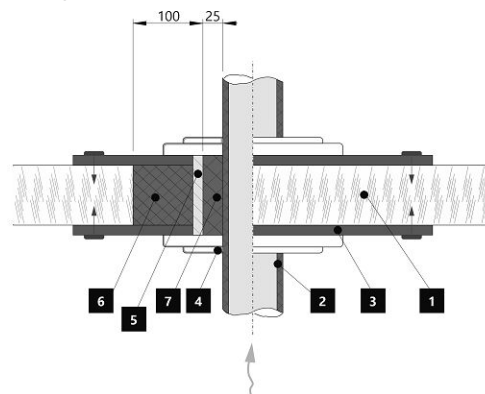
|         |       |     |    |
|---------|-------|-----|----|
| Arrière | $d_R$ | 300 | mm |
| Latéral | $d_S$ | 350 | mm |

**Raccordement arrière du conduit de fumée****Passage du conduit de fumée à travers un mur en matériau combustible**

1. Mur
2. Conduit de fumée
3. Plaque de recouvrement (incombustibles, non métallique)
4. Rosage
5. Tuyau de protection
6. Remplissage isolant (incombustible, par exemple la fibre de verre)
7. Remplissage isolant (incombustible, par exemple l'argile des poêliers)

**Distance par rapport aux matériaux combustibles (non combustibles) – Raccordement arrière du conduit de fumée (isolé)**

|         |       |     |    |
|---------|-------|-----|----|
| Arrière | $d_R$ | --- | mm |
| Latéral | $d_S$ | 350 | mm |

**Raccordement arrière du conduit de fumée (isolé)****Passage du conduit de fumée à travers un mur en matériau combustible**

1. Mur
2. Conduit de fumée isolé
3. Plaque de recouvrement (incombustibles, non métallique)
4. Rosage
5. Tuyau de protection
6. Remplissage isolant (incombustible, par exemple la fibre de verre)
7. Remplissage isolant (incombustible, par exemple l'argile des poêliers)

**Avertissement**

Si les produits sont installés dans des zones où l'air est aspiré par des ventilateurs, des hottes, des équipements de chauffage ou de ventilation, il faut assurer une arrivée d'air central (AAC). Avant d'un nouveau chargement, éteignez tous les appareils de ventilation de votre maison.

Un accès adéquat pour le nettoyage et l'entretien de votre produit, du conduit de fumée et de la cheminée doit être prévu lors de l'installation, à moins que le produit puisse être nettoyé depuis un autre endroit tel que le toit ou une porte dédiée.

Le produit et ses conduits de fumée doivent être régulièrement et soigneusement revérifiés et nettoyés avant et après la saison de chauffage.



Veillez lire attentivement les instructions générales.

## La plaque signalétique du produit

1. LOGO

2. Company  
WEB

3. CE24

4. TYPE  
THE MODEL NUMBER

5. Residential solid fuel burning appliance – with water heating.  
Häusliche Feuerstätte für feste Brennstoffe – mit Warmwasserbereitung.  
Appareil à combustibles solides dans les bâtiments résidentiels – avec chauffage de l'eau.  
Apparecchio a combustibili solidi in edifici residenziali – con riscaldamento dell'acqua.

6. Use only these recommended fuels. | Verwenden Sie nur diese empfohlenen Brennstoffe.  
N'utilisez que ces combustibles recommandés. | Usare solo questi combustibili raccomandati.  
Wood logs | Scheitholz | Büches | Legna

7. Type of appliance | Klassifizierung des Geräts  
Classification de l'appareil | Classificazione dell'apparecchio Typ B

8. Standards | Normen  
Normes | Norme ČSN EN 16510-1 ed. 2:2023 | Ecodesign | BImSchV2 | DIN+ | 15a B-VG 2015

9. Table with columns: Parameter, Unit, nom, part

|  |                    | nom | part |
|--|--------------------|-----|------|
| P                                      | kW                 |     |      |
| P <sub>w</sub>                         | kW                 |     |      |
| η                                      | %                  | ≥   | ≥    |
| CO (13 % O <sub>2</sub> )              | mg/Nm <sup>3</sup> | ≤   | ≤    |
| NO <sub>x</sub> (13 % O <sub>2</sub> ) | mg/Nm <sup>3</sup> | ≤   | ≤    |
| OGC (13 % O <sub>2</sub> )             | mg/Nm <sup>3</sup> | ≤   | ≤    |
| PM (13 % O <sub>2</sub> )              | mg/Nm <sup>3</sup> | ≤   | ≤    |
| p                                      | Pa                 |     |      |
| p <sub>w</sub>                         | bar                |     |      |
| d <sub>a</sub>                         | mm                 |     |      |
| d <sub>b</sub>                         | mm                 |     |      |
| d <sub>c</sub>                         | mm                 |     |      |
| d <sub>d</sub>                         | mm                 |     |      |
| d <sub>e</sub>                         | mm                 |     |      |
| d <sub>f</sub>                         | mm                 |     |      |
| d <sub>g</sub>                         | mm                 |     |      |
| d <sub>h</sub>                         | mm                 |     |      |
| d <sub>i</sub>                         | mm                 |     |      |
| d <sub>j</sub>                         | mm                 |     |      |
| d <sub>k</sub>                         | mm                 |     |      |
| d <sub>l</sub>                         | mm                 |     |      |
| d <sub>m</sub>                         | mm                 |     |      |
| d <sub>n</sub>                         | mm                 |     |      |
| d <sub>o</sub>                         | mm                 |     |      |
| W <sub>max</sub>                       | W                  | NPD |      |
| T <sub>s</sub>                         | °C                 |     |      |
| V <sub>h</sub>                         | m <sup>3</sup> /h  | NPD |      |
| d <sub>out</sub>                       | mm                 |     |      |
| H                                      | mm                 |     |      |
| W                                      | mm                 |     |      |
| L                                      | mm                 |     |      |

10. DOP/CPR doc

11. When installing and operating the product, follow the installation instructions and general instructions. Not for continuous heating.  
Bei der Installation und dem Betrieb des Produkts sind die Installations- und die allgemeine Bedienungsanleitung zu beachten. Die Feuerstätte ist nicht für den Dauerbetrieb geeignet.  
Lors de l'installation et de l'utilisation du produit, suivez les instructions d'installation et le mode d'emploi général. L'appareil n'est pas conçu pour un chauffage continu.  
Per l'installazione e il funzionamento del prodotto, attenersi alle istruzioni di installazione e alle istruzioni generali. Non per il riscaldamento continuo.

12. Serial number | Seriennummer  
Número de serie | Numero di serie

NUMBER

1. Le nom du fabricant ou la marque déposée
2. Siège social, site web
3. Marque de conformité CE, les chiffres indiquent l'année de délivrance du certificat
4. Type, numéro ou désignation du modèle permettant d'identifier le produit
5. Caractéristiques du produit
6. Combustibles recommandés
7. Classification de l'appareil
8. Normes en vigueur
9. Tableau des valeurs

**nom** – valeurs à la puissance thermique nominale

**part** – valeurs à la puissance thermique partielle

P – puissance thermique

P<sub>w</sub> – puissance thermique de l'échangeur

η – rendement énergétique

CO – émissions de CO à 13 % d'O<sub>2</sub>

NO<sub>x</sub> – NO<sub>x</sub> à 13 % d'O<sub>2</sub>

OGC – OGC à 13 % d'O<sub>2</sub>

PM – dust à 13 % d'O<sub>2</sub>

p – tirage minimum de conduit de fumée

p<sub>w</sub> – pression maximale de fonctionnement

**Distance aux matériaux combustibles:**

d<sub>R</sub> – arrière

d<sub>S</sub> – latéral

d<sub>C</sub> – plafond

d<sub>P</sub> – avant

d<sub>F</sub> – avant (par rapport au sol)

d<sub>L</sub> – rayonnement latéral

d<sub>B</sub> – depuis le sol

**Distance aux matériaux non combustibles:**

d<sub>Rnon</sub> – arrière

d<sub>Snon</sub> – latéral

d<sub>S2non</sub> – latéral (niche)

**Déclarées du produit:**

W<sub>max</sub> – puissance électrique maximale

T<sub>s</sub> – température de sortie des gaz de combustion

V<sub>h</sub> – standig air loss

d<sub>out</sub> – diamètre de buse d'air de combustion

H – hauteur

W – largeur

L – profondeur

NPD (No Performance Determined) – une abréviation internationale qui peut être utilisée lorsqu'aucune propriété ou paramètre n'est spécifié. L'étiquette est conforme au règlement de l'UE n° 305/2011.

10. Document de déclaration de performance

11. Instructions

12. Code barre | Numéro de série

In fase di montaggio del prodotto, è necessario rispettare tutte le prescrizioni in vigore, comprese le disposizioni inerenti alle norme nazionali ed europee. Le operazioni di montaggio e installazione del prodotto possono essere eseguite solo da un rivenditore autorizzato **Romotop spol. s r.o.**, ai fini della validità della garanzia e del corretto funzionamento del prodotto. Il presente prodotto non è idoneo come fonte principale di calore per impianti di riscaldamento.

## Istruzioni per l'uso

Si prega di prendere in considerazione le informazioni e le istruzioni riportate nel manuale d'uso.

## Tiraggio d'esercizio della canna fumaria

Tiraggio d'esercizio 12 Pa. Tiraggio d'esercizio massimo 20 Pa. Il tiraggio va misurato con il prodotto in funzione a pieno regime. Consigliamo di installare un regolatore del tiraggio. Si tratta di un accorgimento particolarmente indispensabile in caso di installazione di gestione automatica della combustione.

## Combustibile approvato

Pezzi di legna secca con umidità residua massima del 20 %. È sempre necessario rispettare il consumo medio di combustibile – 2,04 kg/h. La lunghezza raccomandata è di circa 180-350 mm. Dipende dalle dimensioni della camera di combustione. Usare sempre almeno 2 pezzi di legna.

## Utilizzo del prodotto

### 1 Bruciatura della vernice del prodotto

Se la stufa a legna è dotata di una griglia con serratura, questa deve rimanere aperta. Effettuare la prima accensione del fuoco con una quantità piuttosto esigua di legna (circa ½ della dose media). Lasciare lo sportello socchiuso (circa 2 cm) per evitare che la cordicella dello sportello si attacchi alla vernice. Quindi, aprire al massimo l'afflusso dell'aria (pos. C). Seguendo i consigli sopra riportati, in fase di accensione si evitano danni e deformazioni dei materiali.

Una volta che la legna diventa brace, si può passare alla fase successiva di combustione. Caricare il focolare con la quantità di combustibile dose ammessa. Lasciare lo sportello leggermente aperto (circa 2 cm). È necessario che la vernice sotto lo sportello si indurisca sufficientemente. Una volta esaurito questo lotto, effettuare almeno altre 2-3 ricariche con la quantità di combustibile dose ammessa, ma adesso già con lo sportello chiuso e con l'afflusso dell'aria aperto al massimo (pos. C). Durante la combustione della vernice, sentirete per tutto il tempo del cattivo odore. Questa operazione va pertanto eseguita solo se è assicurata una sufficiente aerazione del locale.

### 2 Avvio della combustione

Impostare il dispositivo di comando dell'afflusso dell'aria in posizione aperta (pos. C), a meno che non vi sia la gestione automatica della combustione. Aprire la griglia in ghisa, se presente. Per l'accensione del fuoco, utilizzare al max. il doppio della quantità consumo medio di combustibile. Sul fondo del

focolare, collocare innanzitutto tronchetti di grandi dimensioni e poi, sopra di essi, pezzi di legna secca più piccoli (Fig. 2) – incendiare la legna dall'alto. Per accendere il fuoco, si prega di utilizzare un accendifuoco adeguato. Se necessario (per esempio se non si riesce ad accendere il fuoco come si deve), lasciare lo sportello aperto per un po' di tempo (circa 2 cm), in modo da fare entrare aria a sufficienza all'interno. Successivamente, durante il normale utilizzo, lasciare lo sportello chiuso. Durante la fase di accensione, non aggiungere combustibile finché la fiamma non si estingue.

### 3 Riscaldamento e aggiunta del combustibile

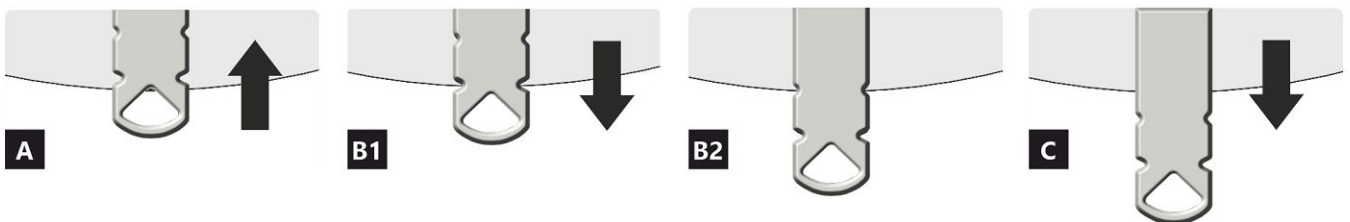
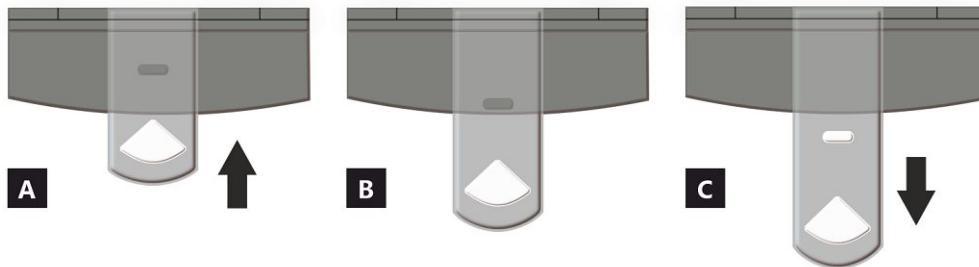
Quando si aggiunge la legna, lasciare lo sportello del focolare aperto di circa 2 cm e attendere circa 10 s finché la pressione nell'apparecchio non si bilancia. In questo modo, si eviteranno inutili fuoriuscite di cenere e fumo nella stanza. Inserire sempre e solo la quantità di legna adatta per il prodotto in questione – vedi consumo medio di combustibile (Fig. 4). Dopo aver aggiunto il combustibile, chiudere di nuovo lo sportello. Consigliamo di impostare il dispositivo di regolazione dell'aria nella posizione ottimale, con potenza termica nominale (pos. B, B1). Non aggiungere legna finché quella già presente non diventa brace.

### 4 Fine del riscaldamento

Quando il combustibile nel focolare non arde più, chiudere il dispositivo di controllo dell'aria. Chiudendo il dispositivo di controllo dell'aria, si evita la fuoriuscita indesiderata di calore non accumulato verso la canna fumaria (pos. A).



- 1** preparazione del combustibile per l'accensione iniziale
- 2** inserimento iniziale della legna nel focolare
- 3** incendiare il legna dall'alto
- 4** aggiunta della legna



- A** chiuso  
**B** aperto – riscaldamento a potenza nominale (funzionamento ottimale)  
**C** aperto – posizione durante il riscaldamento (avvio dell'unità)

- A** chiuso  
**B1** aperto – riscaldamento a potenza nominale (funzionamento ottimale)  
**B2** aperto – aria primaria chiusa  
**C** aperto – posizione durante il riscaldamento (avvio dell'unità)

**Proprietà dichiarate del prodotto**

Specificazioni tecniche armonizzate  $\checkmark$  EN 16510-1 ed.2:2023 | EN 16510-2-1:2022  $\checkmark$  Ecodesign  $\checkmark$  DIN+  $\checkmark$  BlmSchV2  $\checkmark$  15a B-VG 2015

| Classificazione del prodotto                                  |                                      | Type BE                        |                                 |                         |
|---|--------------------------------------|--------------------------------|---------------------------------|-------------------------|
|   |                                      | Potenza termica nominale (nom) | Potenza termica parziale (part) |                         |
| Efficienza energetica   | $\eta_{nom}$   $\eta_{part}$         | 81                             | 78                              | %                       |
| Efficienza energetica stagionale del riscaldamento d'ambiente | $\eta_{s,nom}$   $\eta_{s,part}$     | 72                             | ---                             | %                       |
| Indice di efficienza prodotto                                 | EEI                                  | 108                            |                                 |                         |
| Etichetta energetica  |                                      | A+                             |                                 |                         |
| Combustibile  |                                      | Legna                          |                                 |                         |
| Combustibile – lunghezza                                      |                                      | 180-350                        |                                 | mm                      |
| Consumo medio di combustibile                                 |                                      | 2,04                           | 1,46                            | kg/h                    |
| Dose ammessa di combustibile                                  |                                      | 2,6                            |                                 | kg/h                    |
| Intervallo di aggiunta di combustibile                        |                                      | 1 ora                          |                                 |                         |
| Quantità di aria di combustione                               |                                      | 25,9                           |                                 | m <sup>3</sup> /h       |
| Potenza termica nominale                                      | $P_{nom}$   $P_{part}$               | 6,8                            | 4,7                             | kW                      |
| Potenza ter. nom. dello scambiatore di acqua calda            | $P_{Wnom}$   $P_{Wpart}$             | ---                            | ---                             | kW                      |
| Ppressione massima di funzionamento dell'acqua                | $P_W$                                | ---                            |                                 | bar                     |
| Portata dei fumi di scarico secchi                            | $\Phi_{f,g,nom}$   $\Phi_{f,g,part}$ | 5,4                            | 4,6                             | g/s                     |
| Temperatura d'uscita dei gas di scarico                       | $T_{s,nom}$   $T_{s,part}$           | 330                            | 318                             | °C                      |
| Tiro di esercizio   | $P_{nom}$   $P_{part}$               | 12                             | 8                               | Pa                      |
| Classe di temperatura del camino                              |                                      | T400                           |                                 |                         |
| Collegamento al camino collettivo                             |                                      | Sì                             |                                 |                         |
| Stoccaggio del combustibile nell'area della stufa a legna     |                                      | No                             |                                 |                         |
| Riscaldamento massimo della legna nella stufa a legna         |                                      | ---                            |                                 | °C                      |
| Polvere O <sub>2</sub> = 13 %                                 | $PM_{nom}$   $PM_{part}$             | 33                             | 24                              | mg/Nm <sup>3</sup>      |
| CO <sub>2</sub>   |                                      | 10,76                          | 9,03                            | %                       |
| Emissioni (CO nei gas comburenti all' O <sub>2</sub> = 13 %)  | $CO_{nom}$   $CO_{part}$             | 0,0761<br>951                  | ---                             | %<br>mg/Nm <sup>3</sup> |
| OGC O <sub>2</sub> = 13 %                                     | $OGC_{nom}$   $OGC_{part}$           | 50                             | 82                              | mg/Nm <sup>3</sup>      |
| NOx O <sub>2</sub> = 13 %                                     | $NO_{x,nom}$   $NO_{x,part}$         | 88                             | 91                              | mg/Nm <sup>3</sup>      |
| Controllo automatico della combustione                        |                                      | ---                            | ---                             |                         |
| Consumo di energia elettrica in modo stand-by                 | $e_{l,SB}$                           | ---                            |                                 | kW                      |
| Consumo di energia elettrica                                  | $e_{l,max}$   $e_{l,min}$            | ---                            | ---                             | kW                      |
| Perdita d'aria in piedi                                       | $V_h$                                | ---                            |                                 | m <sup>3</sup> /h       |
| Funzionamento intermittente   Funzionamento continuo          | INT   CON                            | INT                            |                                 |                         |

**Dati tecnici di base**

|   |            |                 |    |
|---|------------|-----------------|----|
| Dimensioni principali (Altezza   Larghezza   Profondità)                  | H   W   L  | 915   740   371 | mm |
| Dimensioni della camera di combustione (Altezza   Larghezza   Profondità) | H   W   L  | 334   515   255 | mm |
| Dimensioni dello sportello del focolare (Alt.   Larg.   Prof.)            | H   W   L  | ---   ---   --- | mm |
| Altezza dell'asse dell'uscita posteriore (laterale)                       |            | 787             | mm |
| Volume dello scambiatore di acqua calda                                   |            | ---             | l  |
| Diametro del condotto fumario   |            | 150             | mm |
| Diametro del gola della canna fumaria                                     | $d_{out}$  | 150             | mm |
| Diametro dell'afflusso centralizzato di aria                              |            | 125             | mm |
| Lunghezza mass. (tubo) di alimentazione centrale dell'aria                |            | 5000            | mm |
| Peso  | m          | 179             | kg |
| Capacità di carico  | $m_{chim}$ | 200             | kg |

**Capacità termica (Potere calorifico)**

dimensione minima del locale in cui è installato l'apparecchio

|  |  |     |                |
|--|--|-----|----------------|
| Isolamento della casa – molto buono (20 W/m <sup>3</sup> ) | ad esempio, casa nuova e isolata / abitata in modo permanente      | 236 | m <sup>3</sup> |
| Isolamento della casa – buono (22,5 W/m <sup>3</sup> )     |  | 210 | m <sup>3</sup> |
| Isolamento della casa – medio (32 W/m <sup>3</sup> )       |  | 148 | m <sup>3</sup> |
| Isolamento della casa – cattivo (45 W/m <sup>3</sup> )     |  | 105 | m <sup>3</sup> |
| Isolamento della casa – molto male (50 W/m <sup>3</sup> )  | ad esempio, una vecchia casa / un cottage / uno chalet non isolato | 94  | m <sup>3</sup> |

**Distanza di materiali infiammabili**

con canna fumaria non isolata (indicato sull'etichetta di produzione)

Nota

|                                   |          |      |    |
|-----------------------------------|----------|------|----|
| Posteriore                        | $d_R$    | 300  | mm |
| Anteriore                         | $d_p$    | 1150 | mm |
| Anteriore (rispetto al pavimento) | $d_F$    | 0    | mm |
| Laterali                          | $d_s$    | 350  | mm |
| Vetrata laterale                  | $d_{s1}$ | ---  | mm |
| Laterali – nicchia                | $d_{s2}$ | 200  | mm |
| Laterali – posizione 45°          | $d_{s3}$ | 100  | mm |
| Radiazione laterale               | $d_L$    | 0    | mm |
| Dal pavimento                     | $d_B$    | 0    | mm |
| Dal soffitto                      | $d_C$    | ---  | mm |

**Distanza di materiali infiammabili con canna fumaria isolata \***

|            |       |     |    |
|------------|-------|-----|----|
| Posteriore | $d_R$ | --- | mm |
| Laterali   | $d_s$ | --- | mm |

**Distanza di materiali infiammabili con una piastra di sospensione**

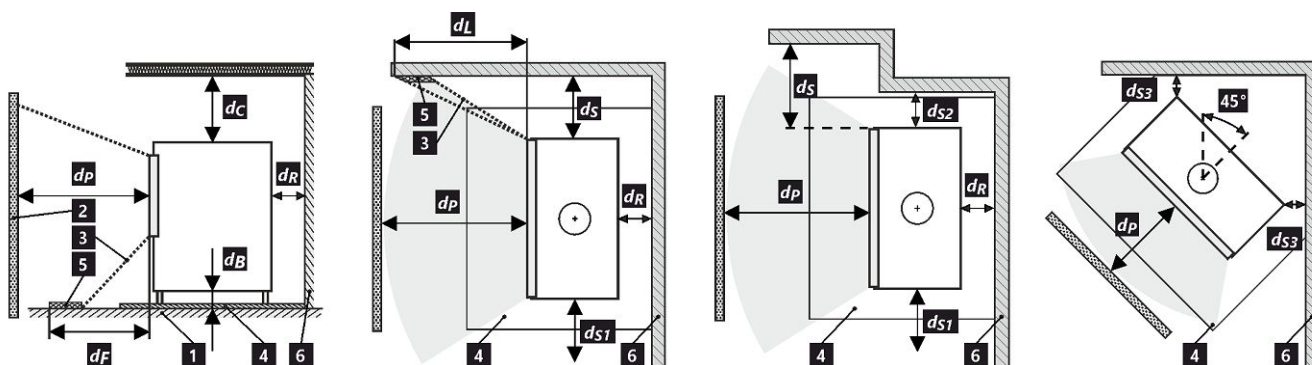
|            |       |     |    |
|------------|-------|-----|----|
| Posteriore | $d_R$ | 180 | mm |
| Laterali   | $d_s$ | 350 | mm |

**Distanza di materiali infiammabili con canna fumaria isolata una piastra di sospensione \***

|            |       |     |    |
|------------|-------|-----|----|
| Posteriore | $d_R$ | 100 | mm |
| Laterali   | $d_s$ | 350 | mm |

**Distanza di materiali non infiammabili**

|                          |             |     |    |
|--------------------------|-------------|-----|----|
| Posteriore               | $d_{Rnon}$  | 80  | mm |
| Laterali                 | $d_{Snon}$  | 350 | mm |
| Laterali – nicchia       | $d_{s2non}$ | 80  | mm |
| Laterali – posizione 45° | $d_{s3non}$ | 80  | mm |



1 pavimento | 2 oggetto | 3 area di irraggiamento | 4 piastra protettiva del pavimento | 5 area critica (a causa dell'irraggiamento) | 6 parete combustibili

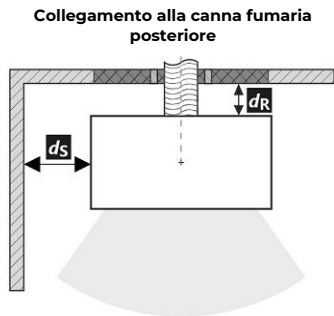
Durante il montaggio e l'uso del prodotto, devono essere rispettate tutte le normative locali, incluse le norme nazionali ed europee.

Il prodotto installato su un pavimento realizzato con materiali combustibili deve essere dotato di una piastra di protezione del pavimento in materiale non combustibile che sporga di almeno 400 mm in avanti e di 100 mm nelle altre direzioni rispetto alla superficie di appoggio del prodotto. Il prodotto deve essere installato su pavimenti con una portata sufficiente.

\* La distanza presuppone l'utilizzo di una canna fumaria isolata con uno spessore minimo di isolamento di 25 mm fino al prodotto.

**Distanza di materiali infiammabili (non infiammabili) – collegamento alla canna fumaria posteriore**

|            |       |     |    |
|------------|-------|-----|----|
| Posteriore | $d_R$ | 300 | mm |
| Laterali   | $d_S$ | 350 | mm |

**Passaggio della canna fumaria attraverso una parete in materiale combustibile**

1. Muro
2. Canna fumaria
3. Piastra di copertura (non infiammabile, non metallica)
4. Rosetta
5. Tubo di protezione
6. Riempimento isolante (non infiammabile, ad es. Fibra di vetro)
7. Riempimento isolante (non infiammabile, ad esempio argilla per stufe)

**Distanza di materiali infiammabili (non infiammabili) – collegamento alla canna fumaria posteriore (isolato)**

|            |       |     |    |
|------------|-------|-----|----|
| Posteriore | $d_R$ | --- | mm |
| Laterali   | $d_S$ | 350 | mm |

**Raccordo della canna fumaria posteriore (isolato)**

**Passaggio della canna fumaria attraverso una parete in materiale combustibile**

1. Muro
2. Canna fumaria isolata
3. Piastra di copertura (non infiammabile, non metallica)
4. Rosetta
5. Tubo di protezione
6. Riempimento isolante (non infiammabile, ad es. Fibra di vetro)
7. Riempimento isolante (non infiammabile, ad esempio argilla per stufe)

**Avvertimento**

Se i prodotti sono installati in aree in cui l'aria viene estratta da ventilatori, cappe, apparecchiature di ventilazione, riscaldamento o ventilazione, è necessario prevedere un'alimentazione d'aria sufficiente (alimentazione centrale dell'aria). Spegnere tutti i dispositivi di ventilazione presenti in casa prima di pianificare una nuova costruzione.

Durante l'installazione è necessario garantire un accesso adeguato per la pulizia e la manutenzione del prodotto, della canna fumaria e del camino, a meno che il prodotto non possa essere pulito da un'altra posizione, come il tetto o una porta dedicata.

Il prodotto e i suoi percorsi dei gas di scarico devono essere regolarmente e accuratamente controllati e puliti prima e dopo la stagione di riscaldamento.

Leggere attentamente le istruzioni generali.

Romotop Istruzioni per l'installazione

24 | 30  
24/30

## Targhetta di produzione

|   |   |                    |            |             |  |
|---|---|--------------------|------------|-------------|--|
| 1 | LOGO  | 3                  | CE24       | 4           | TYPE<br>THE MODEL NUMBER   |
| 2 | Company<br>WEB  |                    |            |             |  |
| 5 | Residential solid fuel burning appliance – with water heating.<br>Häusliche Feuerstätte für feste Brennstoffe – mit Warmwasserbereitung.<br>Appareil à combustibles solides dans les bâtiments résidentiels – avec chauffage de l'eau.<br>Apparecchio a combustibili solidi in edifici residenziali – con riscaldamento dell'acqua. |                    |            |             |  |
| 6 | Use only these recommended fuels.   Verwenden Sie nur diese empfohlenen Brennstoffe.<br>N'utilisez que ces combustibles recommandés.   Usare solo questi combustibili raccomandati.<br>Wood logs   Scheitholz   Büches   Legna  |                    |            |             |  |
| 7 | Type of appliance   Klassifizierung des Geräts<br>Classification de l'appareil   Classificazione dell'apparecchio<br>Typ B  |                    |            |             |  |
| 8 | Standards   Normen<br>Normes   Norme<br>ČSN EN 16510-1 ed. 2:2023   Ecodesign   BImSchV2   DIN+   15a B-VG 2015   |                    |            |             |  |
| 9 |   |                    | <i>nom</i> | <i>part</i> | DOP/CPR<br>doc   |
|   | P   | kW                 |            |             | <p>When installing and operating the product, follow the installation instructions and general instructions. Not for continuous heating.</p> <p>Bei der Installation und dem Betrieb des Produkts sind die Installations- und die allgemeine Bedienungsanleitung zu beachten. Die Feuerstätte ist nicht für den Dauerbetrieb geeignet.</p> <p>Lors de l'installation et de l'utilisation du produit, suivez les instructions d'installation et le mode d'emploi général. L'appareil n'est pas conçu pour un chauffage continu.</p> <p>Per l'installazione e il funzionamento del prodotto, attenersi alle istruzioni di installazione e alle istruzioni generali. Non per il riscaldamento continuo.</p> |
|   | $\eta$  | %                  | $\geq$     | $\geq$      |  |
|   | CO (13 % O <sub>2</sub> )   | mg/Nm <sup>3</sup> | $\leq$     | $\leq$      |  |
|   | NO <sub>x</sub> (13 % O <sub>2</sub> )  | mg/Nm <sup>3</sup> | $\leq$     | $\leq$      |  |
|   | OGC (13 % O <sub>2</sub> )  | mg/Nm <sup>3</sup> | $\leq$     | $\leq$      |  |
|   | PM (13 % O <sub>2</sub> )   | mg/Nm <sup>3</sup> | $\leq$     | $\leq$      |  |
|   | p   | Pa                 |            |             |  |
|   | P <sub>w</sub>  | bar                |            |             |  |
|   | d <sub>a</sub>  | mm                 |            |             |  |
|   | d <sub>b</sub>  | mm                 |            |             |  |
|   | d <sub>c</sub>  | mm                 |            |             |  |
|   | d <sub>L</sub>  | mm                 |            |             |  |
|   | d <sub>S1non</sub>  | mm                 |            |             |  |
|   | d <sub>S2non</sub>  | mm                 |            |             |  |
|   | W <sub>max</sub>  | W                  | NPD        |             |  |
|   | T <sub>s</sub>  | °C                 |            |             |  |
|   | V <sub>h</sub>  | m <sup>3</sup> /h  | NPD        |             |  |
|   | d <sub>out</sub>  | mm                 |            |             |  |
|   | H   | mm                 |            |             |  |
|   | W   | mm                 |            |             |  |
|   | L   | mm                 |            |             |  |
|   |   |                    |            |             | Serial number   Seriennummer<br>Número de serie   Numero di serie  |
|   |   |                    |            |             | 12   |

1. Nome del produttore o marchio registrato
2. Sede aziendale, sito web
3. Marchio di conformità CE, le cifre indicano l'anno di emissione del certificato
4. Tipo, numero o designazione del modello per identificare il prodotto
5. Specifiche del prodotto
6. Combustibili consigliati
7. Classificazione dei prodotti
8. Norme applicabili
9. Tabella dei valori

**nom** – valori alla potenza termica nominale

**part** – valori alla potenza termica parziale

P – potenza termica

P<sub>w</sub> – potenza dello scambiatore di acqua calda

$\eta$  – efficienza energetica

CO – emissioni di CO al 13 % di O<sub>2</sub>

NO<sub>x</sub> – NO<sub>x</sub> al 13 % di O<sub>2</sub>

OGC – OGC al 13 % di O<sub>2</sub>

PM – polvere al 13 % di O<sub>2</sub>

p – tiro minimo di esercizio

p<sub>w</sub> – pressione massima di funzionamento

**Distanza da materiali infiammabili:**

d<sub>R</sub> – posteriore

d<sub>S</sub> – laterali

d<sub>C</sub> – dal soffitto

d<sub>B</sub> – anteriore

d<sub>F</sub> – anteriore (rispetto al pavimento)

d<sub>L</sub> – radiazione laterale

d<sub>B</sub> – dal pavimento

**Distanza da materiali non infiammabili:**

d<sub>Rnon</sub> – posteriore

d<sub>Snon</sub> – laterali

d<sub>S2non</sub> – laterali (nicchia)

**Proprietà del prodotto:**

W<sub>max</sub> – potenza elettrica massima

T<sub>s</sub> – temperatura d'uscita dei gas di scario

V<sub>h</sub> – perdita d'aria in piedi

d<sub>out</sub> – diametro del gola della canna fumaria

H – altezza

W – larghezza

L – profondità

NPD (No Performance Determined) – un'abbreviazione internazionale che può essere utilizzata quando non sono specificati proprietà o parametri. La marcatura è conforme al Regolamento UE 305/2011.

10. Documento di Dichiarazione di Prestazione

11. Istruzioni

12. Codice a barre | Numero di serie

## EN Product sheet under Regulation EU 2015/1186

|   |                      |
|---|----------------------|
| Supplier's name or trademark                            | Romotop spol. s r.o. |
| Supplier's model identifier                             | ALEDO 10             |
| The energy efficiency class of the model                | A+                   |
| The direct heat output in (kW)                          | 6,8                  |
| The indirect heat output in (kW)                        | -                    |
| The energy efficiency index EEI                         | 108                  |
| The useful energy efficiency at nominal heat output (%) | 81                   |
| The useful energy efficiency at minimum load (%)        | Pass                 |

Installation and maintenance instructions:

**Please read and follow the installation and operating instructions!**  
**Distances to combustible components and fire protection must be observed!**  
**Sufficient combustion air must be able to flow to the fireplace!**  
**Heating devices with water technology may only be put into operation if all safety devices are operational and functional!**

## DE Produktdatenblatt gemäß Verordnung EU 2015/1186

|  |                      |
|--|----------------------|
| Name oder Warenzeichen des Lieferanten     | Romotop spol. s r.o. |
| Modellkennung des Lieferanten              | ALEDO 10             |
| Energieeffizienzklasse des Modells         | A+                   |
| Direkte Wärmeleistung (kW)                 | 6,8                  |
| Indirekte Wärmeleistung (kW)               | -                    |
| Energieeffizienzindex EEI                  | 108                  |
| Energieeffizienz bei Nennwärmeleistung (%) | 81                   |
| Energieeffizienz bei Mindestlast (%)       | Pass                 |

Hinweise zu Installation und Wartung:

**Bitte lesen und befolgen Sie die Aufstell- und Bedienungsanleitung!**  
**Abstände zu brennbaren Bauteilen sowie Brandschutz müssen eingehalten werden!**  
**Der Feuerstätte muss ausreichend Verbrennungsluft zuströmen können!**  
**Heizgeräte mit Wassertechnik dürfen nur in Betrieb genommen werden, wenn alle Sicherheitseinrichtungen betriebsbereit und funktionsfähig sind!**

## FR Fiche produit selon la réglementation EU 2015/1186

|   |                      |
|---|----------------------|
| Le nom du fournisseur ou la marque commerciale              | Romotop spol. s r.o. |
| La référence du modèle donnée par le fournisseur            | ALEDO 10             |
| La classe d'efficacité énergétique du modèle                | A+                   |
| La puissance thermique directe en (kW)                      | 6,8                  |
| La puissance thermique indirecte en (kW)                    | -                    |
| L'indice d'efficacité énergétique EEI                       | 108                  |
| Le rendement utile à la puissance thermique nominale et (%) | 81                   |
| Le rendement utile à la puissance thermique minimale (%)    | Pass                 |

Instructions d'installation et d'entretien:

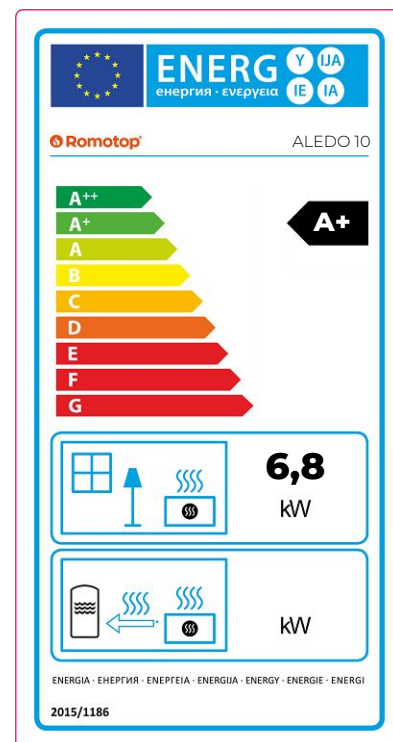
**Veillez lire attentivement les instructions d'installation et d'utilisation et respecter les!**  
**Les distances par rapport aux éléments combustibles et la protection contre le feu doivent être respectées!**  
**L'air de combustion doit circuler en quantité suffisante dans le produit!**  
**Le produit échangeur d'eau chaude ne doit être mis en service que si tous les dispositifs de sécurité sont fonctionnels!**

## IT Scheda prodotto secondo normativa EU 2015/1186

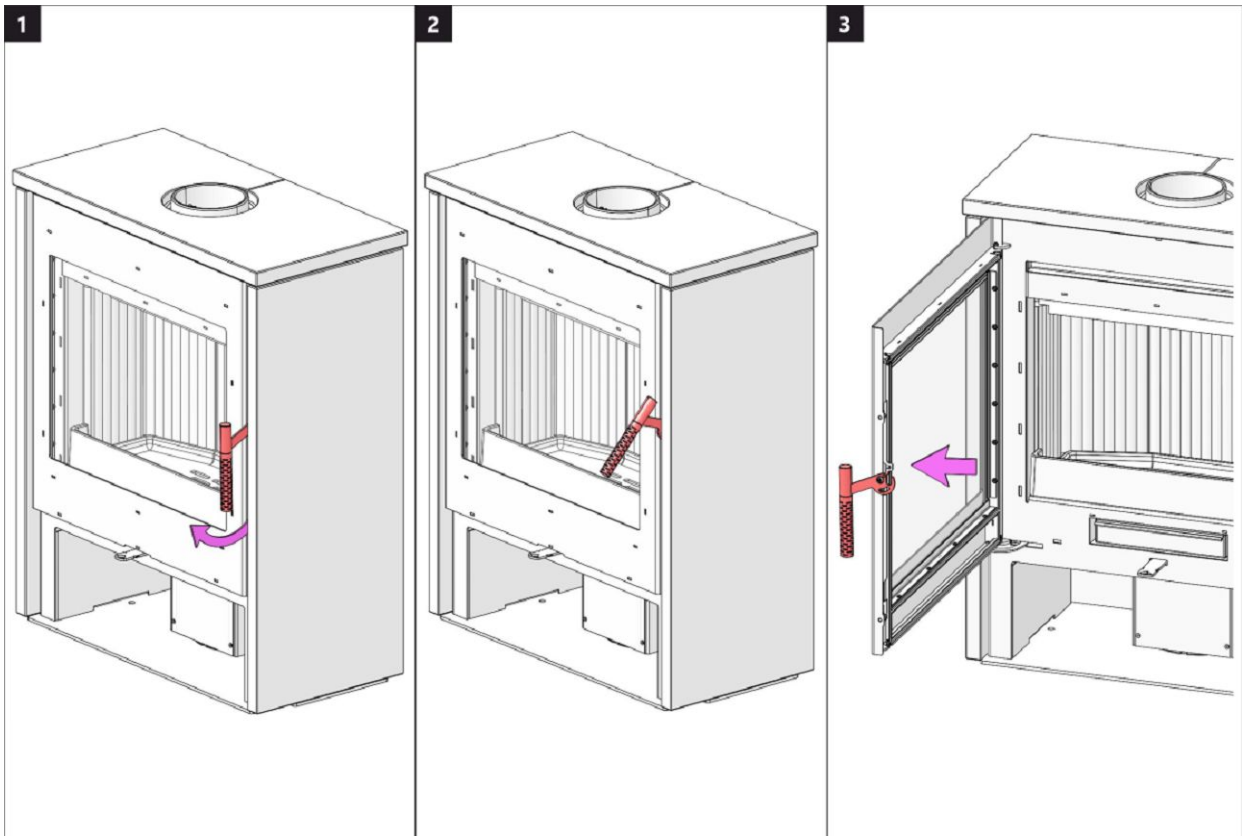
|  |                      |
|--|----------------------|
| Nome oppure marchio del fornitore                            | Romotop spol. s r.o. |
| Codice prodotto del fornitore                                | ALEDO 10             |
| Classe di efficienza energetica del modello                  | A+                   |
| Potenza termica diretta in (kW)                              | 6,8                  |
| Potenza termica indiretta in (kW)                            | -                    |
| Indice di efficienza prodotto EEI                            | 108                  |
| Efficienza del combustibile con potenza termica nominale (%) | 81                   |
| Efficienza del combustibile con carico minimo (%)            | Pass                 |

Istruzioni per l'installazione e la manutenzione:

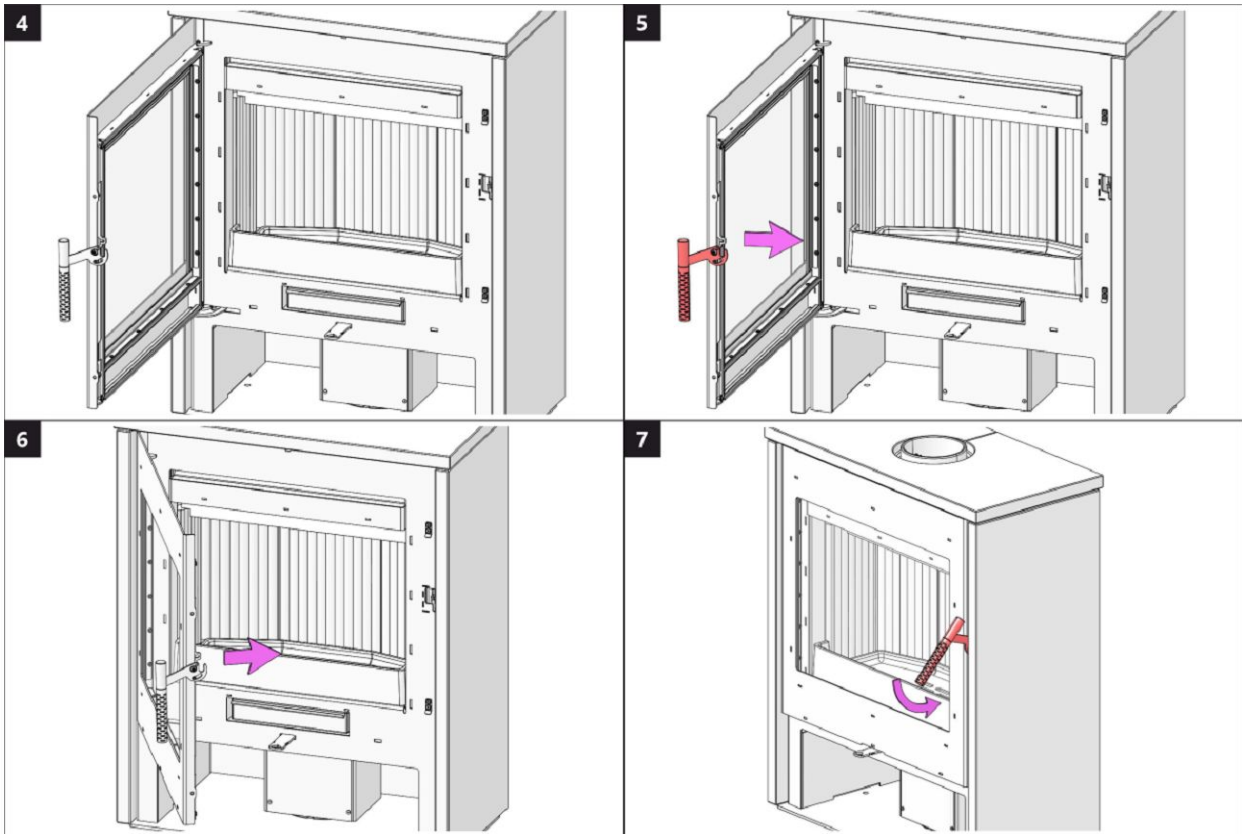
**Leggere attentamente e seguire le istruzioni generali.**  
**Rispettare le distanze dai materiali combustibili e dalla protezione antincendio!**  
**Nel prodotto deve affluire una quantità sufficiente di aria di combustione!**  
**Lo scambiatore di calore per acqua calda può essere messo in funzione solo se tutti i dispositivi di sicurezza sono funzionanti!**



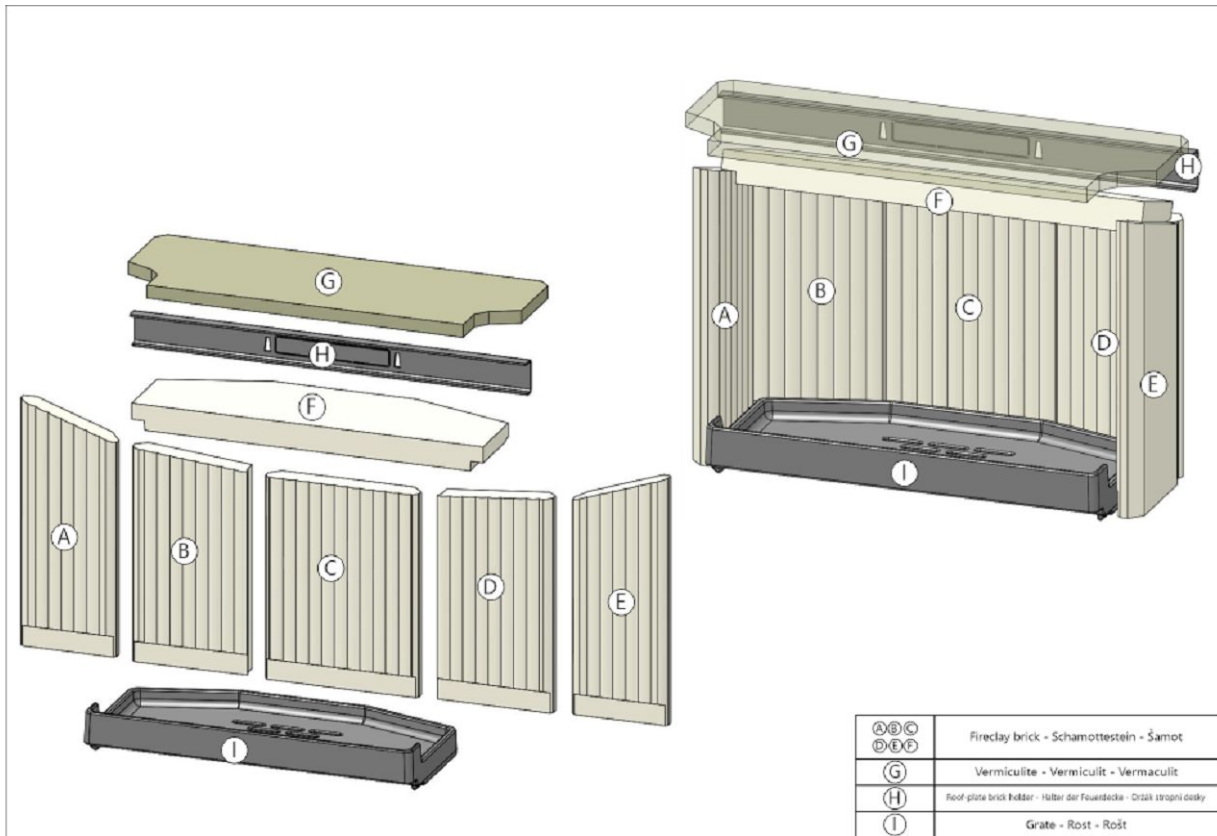
**Fireplace door – Locking mechanism 1 | Feuerraumtür – Arretierung 1**  
**Porte du foyer – Mécanisme de verrouillage 1 | Sportello del focolare – Meccanismo di blocco 1**



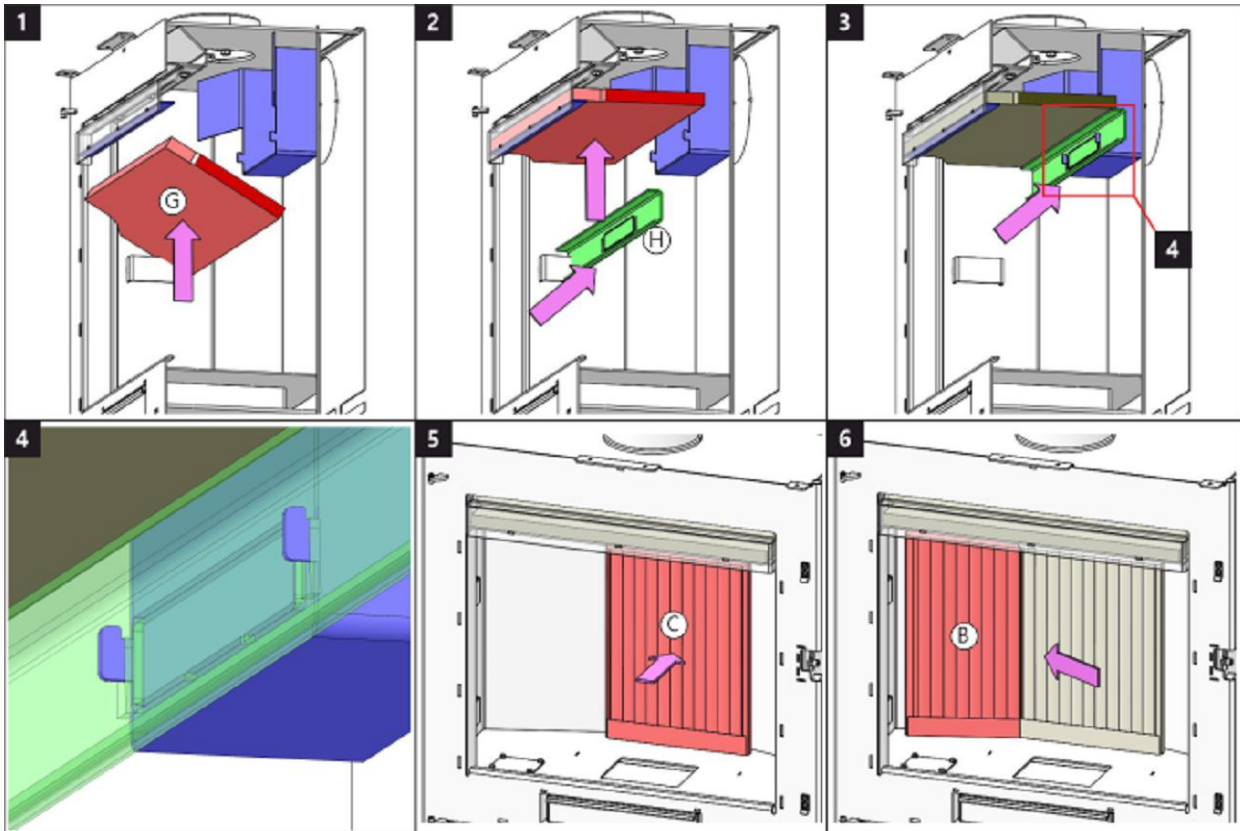
**Fireplace door – Locking mechanism 2 | Feuerraumtür – Arretierung 2**  
**Porte du foyer – Mécanisme de verrouillage 2 | Sportello del focolare – Meccanismo di blocco 2**



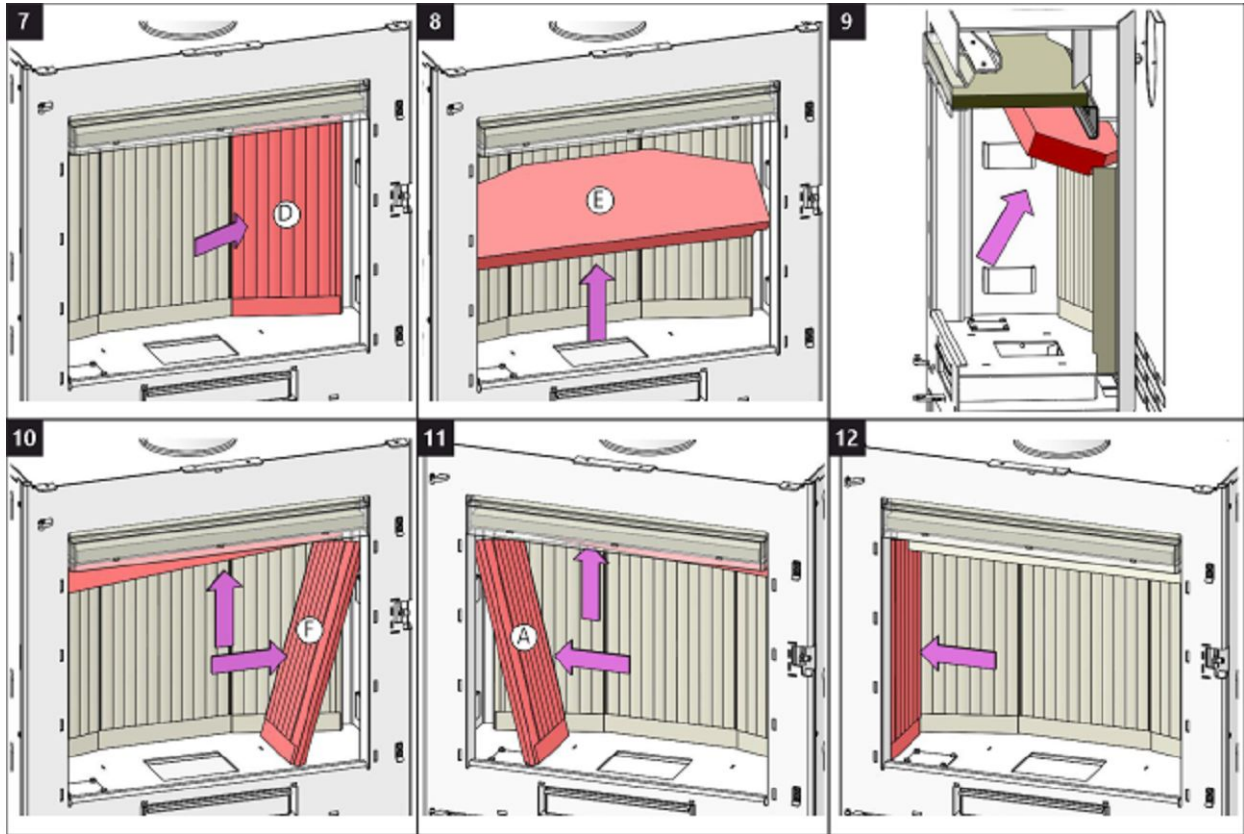
## Burning chamber 1 | Brennkammer 1 | Chambre de combustion 1 | Camera di combustione 1



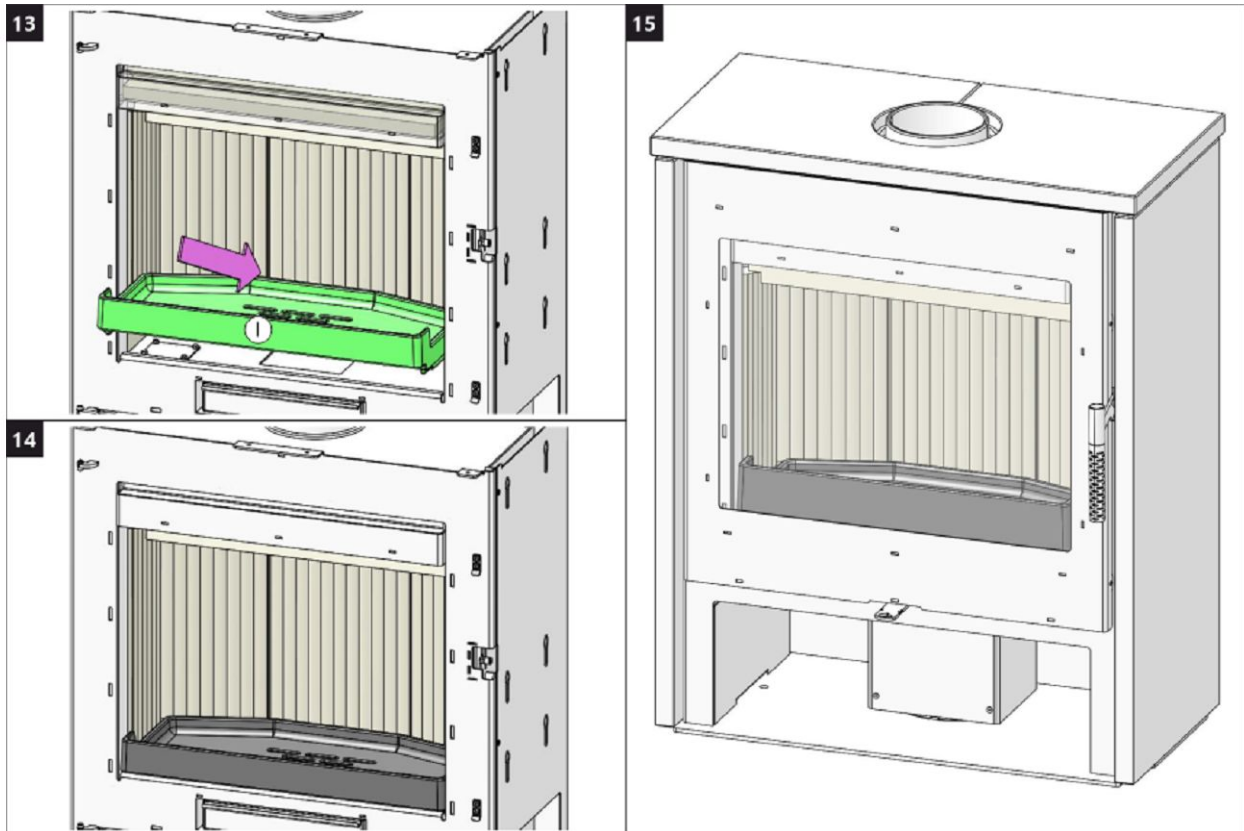
## Burning chamber 2 | Brennkammer 2 | Chambre de combustion 2 | Camera di combustione 2



Burning chamber 3 | Brennkammer 3 | Chambre de combustion 3 | Camera di combustione 3



Burning chamber 4 | Brennkammer 4 | Chambre de combustion 4 | Camera di combustione 4





ROMOTOP spol. s r. o.

Komenského 325  
742 01 Suchdol nad Odrou  
Czech Republic

[www.romotop.com](http://www.romotop.com)